

ProMount INLAY Catalog

Pitched roof mounting system

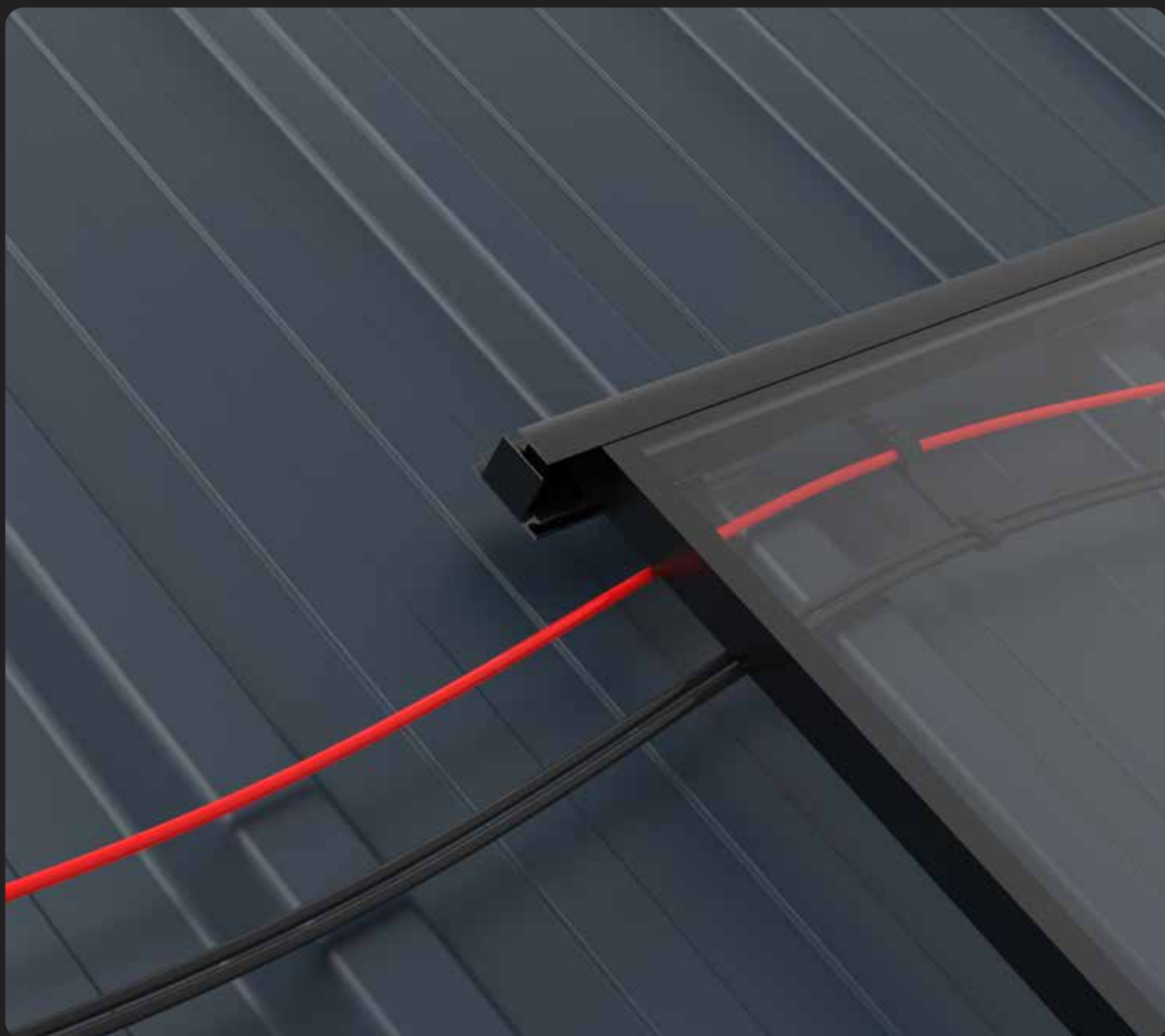


Table of content

Discover ProMount INLAY

The well-known INLAY mounting system for various types of pitched roofs. With this on-roof inlay system, solar panels can be installed quickly and easily by sliding them in the mounting profiles. Without any screws or clamps!

About us 4

System benefits 6

Configurations 10

Tiled roofs 10

Steeldeck roofs 14

Corrugated roofs 16

Tested & certified 19

Product sheets 21

ProMount calculator 39

About us

At ProMount, we believe going solar shouldn't be complicated. That's why we created mounting systems that are easy to understand, quick to install, and built to last.



Our mounting systems are engineered for maximum safety, proven durability, and easy installation—helping you complete projects faster and with total confidence. We deliver on our promises with on-time delivery, clear guidance, and solutions that keep performing for years to come.

People are at the heart of everything we do. Our team brings together a wide range of expertise to create, deliver, and support solar mounting solutions that are reliable and easy to use. By combining our knowledge and commitment, we make every project run smoothly from start to finish.

System benefits

Edge-to-edge efficiency

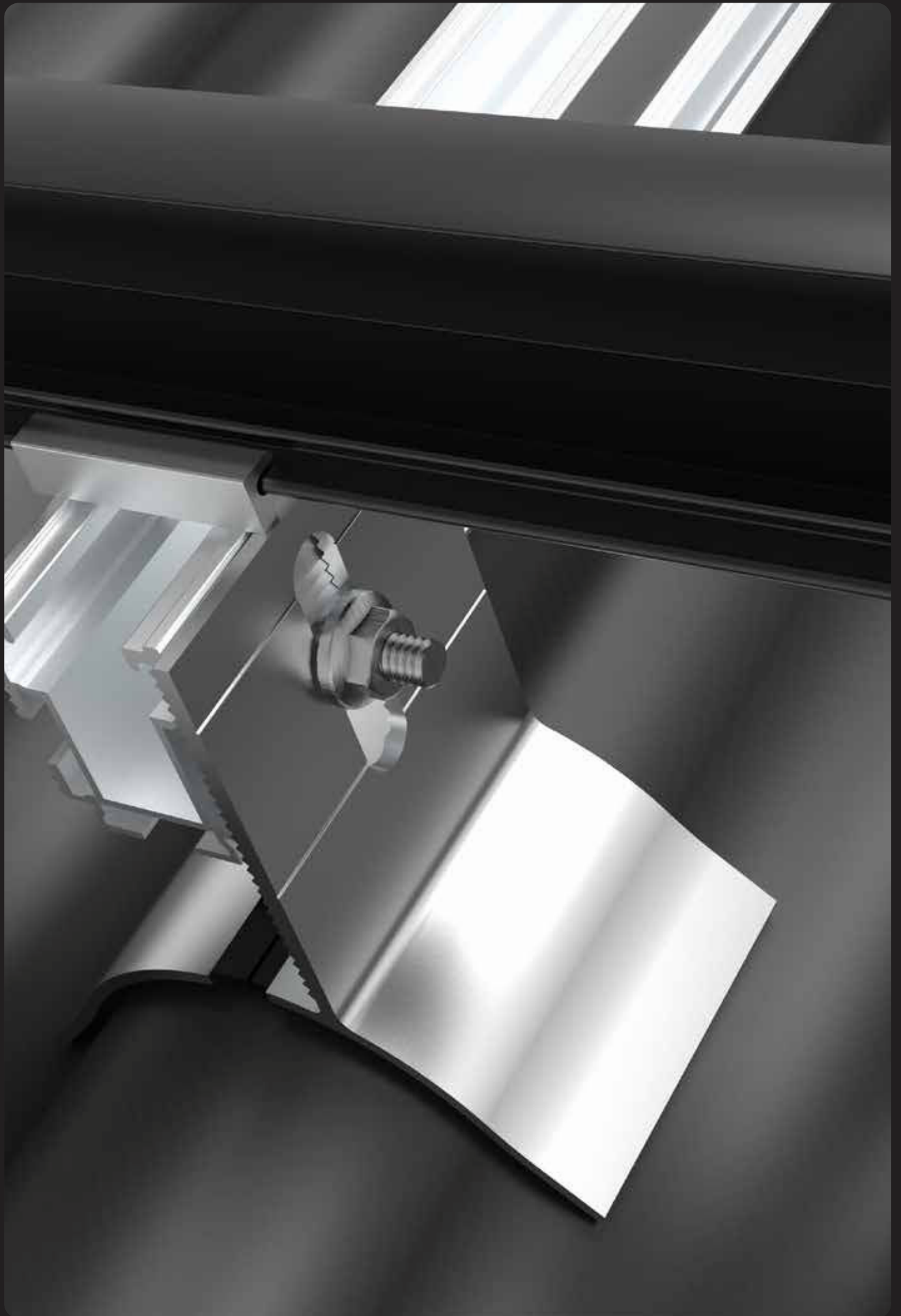
The INLAY system allows an entire field to be installed without expansion joints. Panels can be placed edge-to-edge safely, eliminating the need to measure and divide fields. This design increases installation speed and maximizes roof coverage while maintaining a smooth, uninterrupted surface.

Sleek. Simple. Secure.

The INLAY system is designed without clamps, providing a clean and continuous panel alignment. Each panel locks seamlessly into place, delivering a uniform finish across the roof while simplifying installation and reducing visible hardware.

Optimal cable management

Ensure clean and efficient cable routing with the cable clips designed for the INLAY system. Simply attach the clip under the profile, then secure the cables in the designated holders. Fast, straightforward, and keeps your installation tidy and organized.







**At ProMount,
words meet action.**

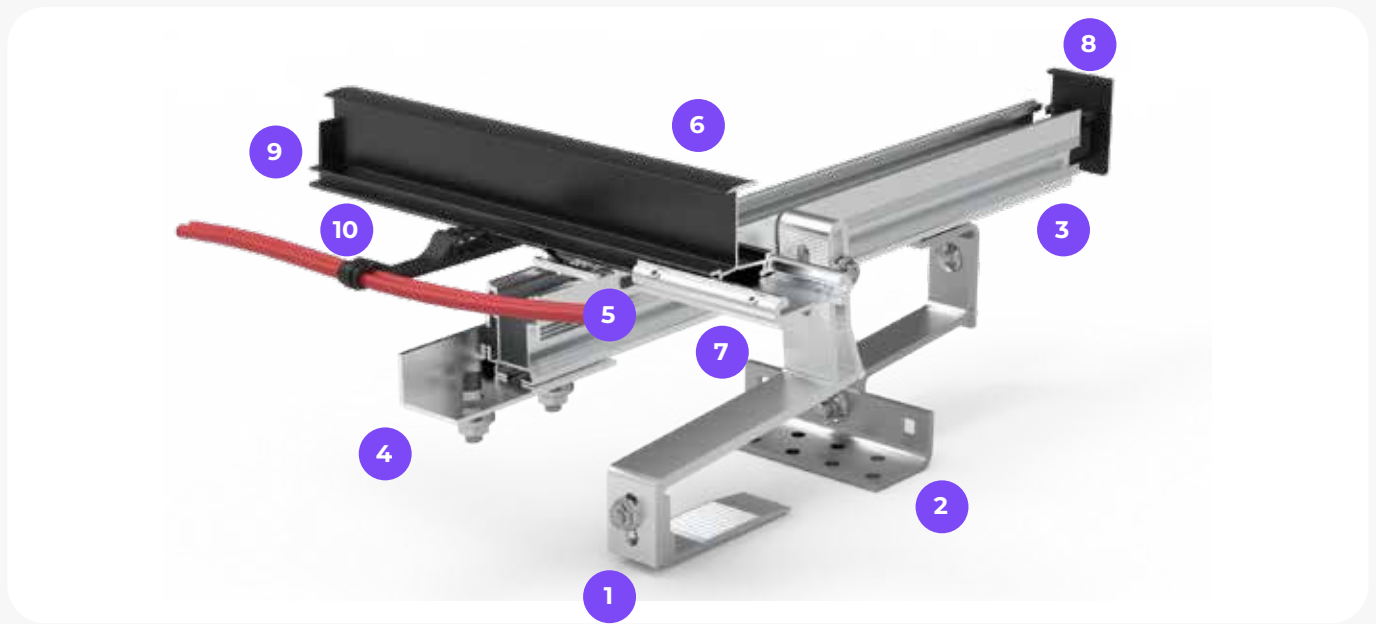
At ProMount, our promises come to life in real projects. Each installation shows how our smart mounting systems, developed in close collaboration with installers, deliver efficiency and reliability on the roof.
















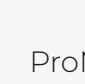


These completed projects reflect what ProMount stands for: solutions that perform in real-world conditions, every single day. No theory—just ProMount in action.

Tiled roofs



Components



	Article code	Article description
 	1INL15DE001	Roof hook INLAY single adjustable
 	1HME15DD001	Roof hook double adjustable
 	1INL43AL001	Bottom profile INLAY 6,20 m alu
 	1INL43PV003	Profile connector bottom profile INLAY sideways (2x hammerhead bolt M10x20, knurled nut M10)
 	1INL15DV004	Bracket INLAY with bolt
 	1INL43AL017 1INL43ZW011	Profile INLAY 30 mm 6,20 m alu Profile INLAY 30 mm 6,20 m black Other lengths available on request
 	1INL43AC003 1INL43PV004	Profile connector INLAY with 2x M6 bolt alu Profile connector INLAY with 2x M6 bolt black
 	1HME10BT003 1HME10MR001	Hammerhead bolt M8x25 Knurled nut M8
 	1HME10BT048 1HME10MR003	Hammerhead bolt M10x30 Knurled nut M10

Article code	Article description
--------------	---------------------



1INL43AC005	Stopper bottom profile INLAY grey
1INL43AC004	Stopper bottom profile INLAY black



1INL43AC001	End piece profile INLAY low with M6 grey
1INL43AC002	End piece profile INLAY low with M6 black



1INL99AC001	Cable clip INLAY
-------------	------------------



CABLE CLIP

Go for optimal cable management with our cable clips for the INLAY system.

- You quickly and easily screw the cable clip under any inlay profile.
- Then, the cables are attached in the provided holders.

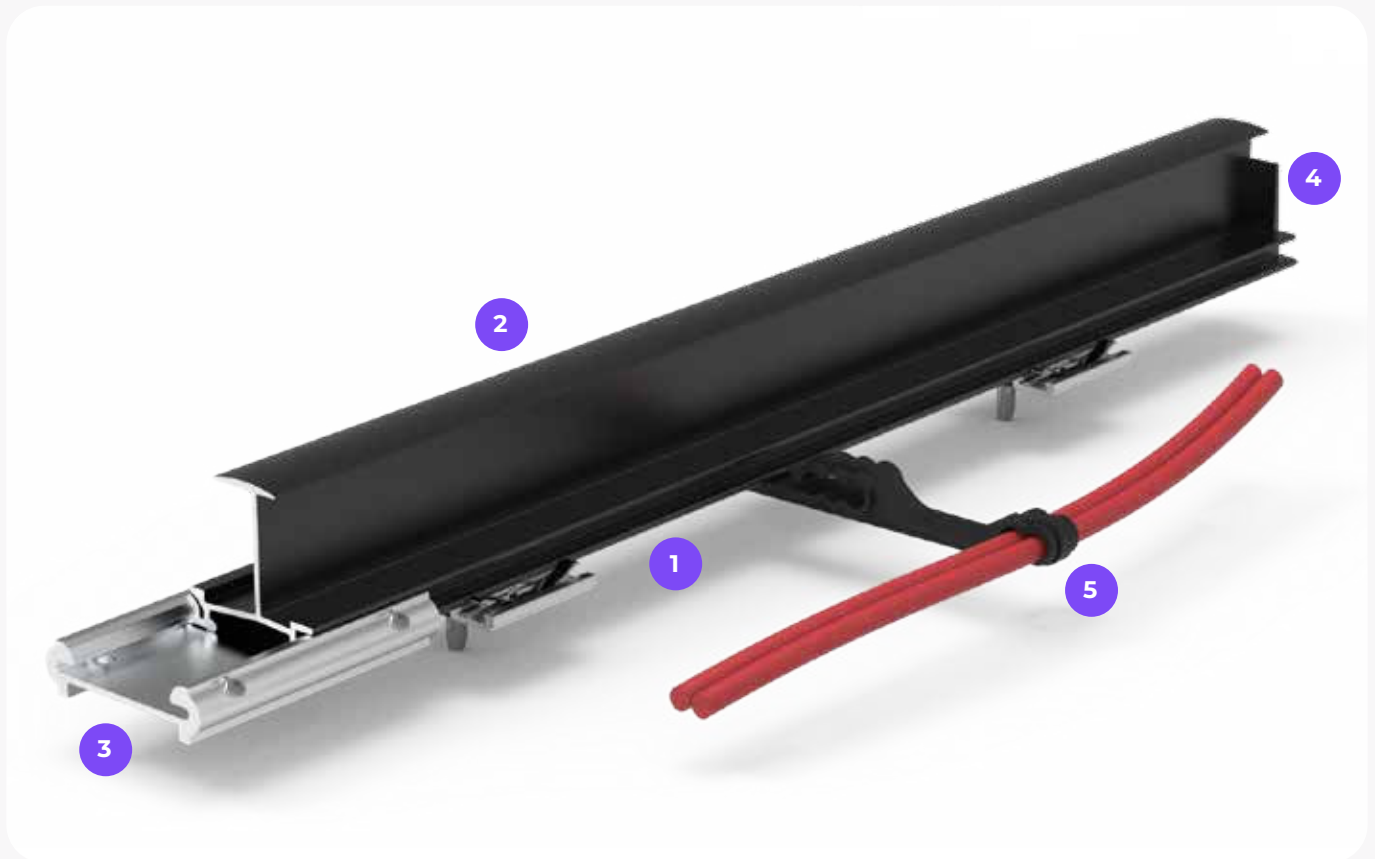
The black cable clip is attractive, UV-resistant and easy to handle. This cable clip ensures a safe solar installation.



Steel deck roofs



Components



Article code

Article description

1INL15DV003

Bracket INLAY with rivet



1INL43AL017

Profile INLAY 30 mm 6,20 m alu

1INL43ZW011

Profile INLAY 30 mm 6,20 m black

Other lengths available on request



1INL43AC003

Profile connector INLAY with 2x M6 bolt alu

1INL43PV004

Profile connector INLAY with 2x M6 bolt black



1INL43AC001

End piece profile INLAY low with M6 grey

1INL43AC002

End piece profile INLAY low with M6 black



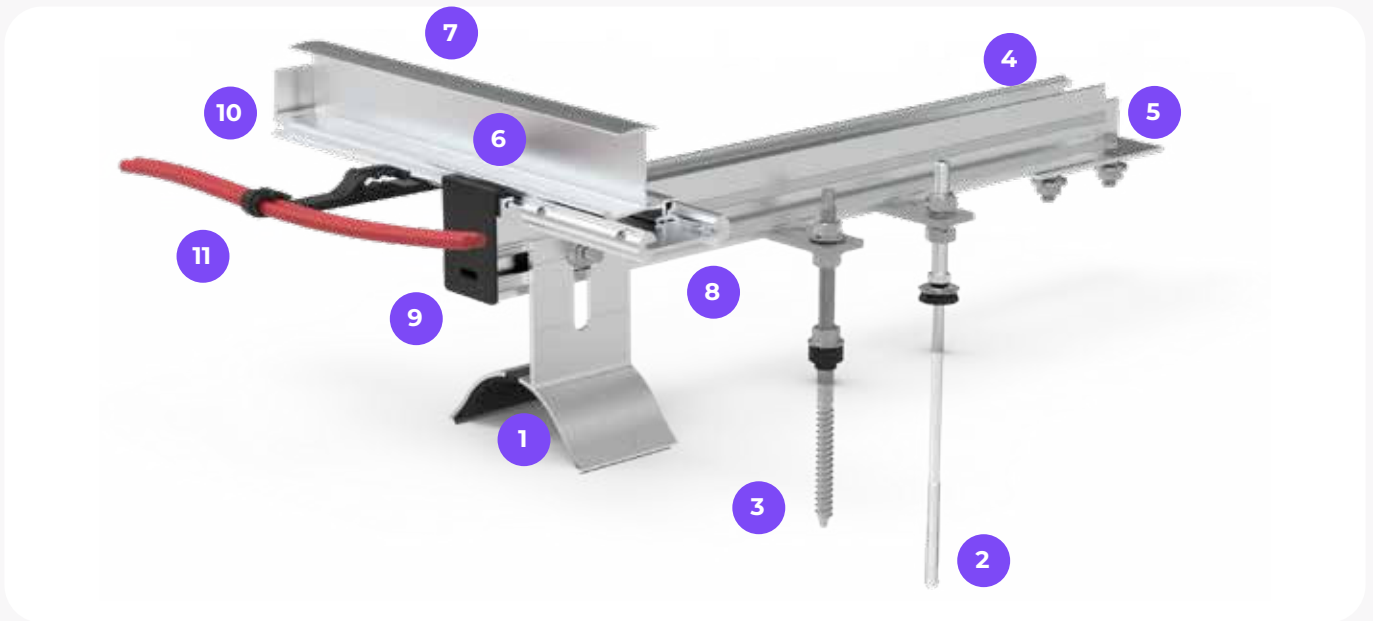
1INL99AC001

Cable clip INLAY

Corrugated roofs



Components



Article code	Article description
--------------	---------------------



1INL15DV007	Hook INLAY corrugated sheet
-------------	-----------------------------



1HME15SS026	Hanger bolt for metal construction 8x200/70
-------------	---



1HMEACMP001	Mounting plate 110x40x5 mm
-------------	----------------------------



1HME15SS004	Hanger screw with mounting plate M10x200
1HME15SS005	Hanger screw with mounting plate M10x250
1HME15SS007	Hanger screw with mounting plate M10x300



1HME10BT048	Hammerhead bolt M10x30
1HME10MR003	Knurled nut M10



1INL43AL001	Bottom profile INLAY 6,20 m alu
-------------	---------------------------------



1INL43PV003	Profile connector bottom profile INLAY sideways (2x hammerhead bolt M10x20, knurled nut M10)
-------------	--



1INL15DV004	Bracket INLAY with bolt
-------------	-------------------------



1INL43AL017	Profile INLAY 30 mm 6,20 m alu
1INL43ZW011	Profile INLAY 30 mm 6,20 m black

Other lengths available on request

8



1INL43AC003
1INL43PV004

Article description

Profile connector INLAY with 2x M6 bolt alu
Profile connector INLAY with 2x M6 bolt black

9



1INL43AC005
1INL43AC004

Stopper bottom profile INLAY grey
Stopper bottom profile INLAY black

10



1INL43AC001
1INL43AC002

End piece profile INLAY low with M6 grey
End piece profile INLAY low with M6 black

11



1INL99AC001

Cable clip INLAY

Tested & certified

Developed and certified with leading institutins

Our products are developed in close collaboration with Hasselt University and engineered at TU Delft in our state-of-the-art R&D center. This ensures that every component is designed with precision, innovation, and reliability in mind.



Engineered for durability & performance

All ProMount mounting materials comply with European wind and snow load standards, giving you peace of mind in every installation. Our robust design and careful material selection allow your solar projects to withstand even the most demanding conditions.

Long-lasting finish & quality

We stand behind our products with a 25-year guarantee on all mounting materials. In addition, black anodized aluminum components come with a 10-year color retention guarantee, so your installation stays both functional and visually striking for years to come.



DATASHEET

Roof hook INLAY single adjustable

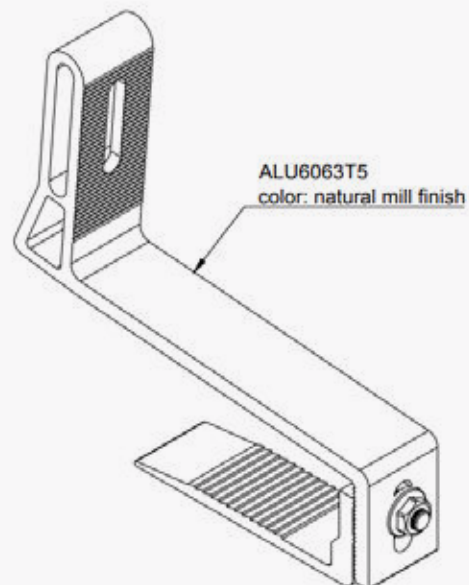
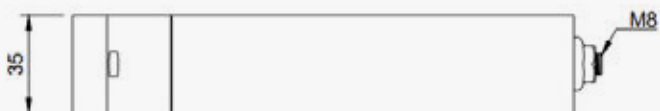
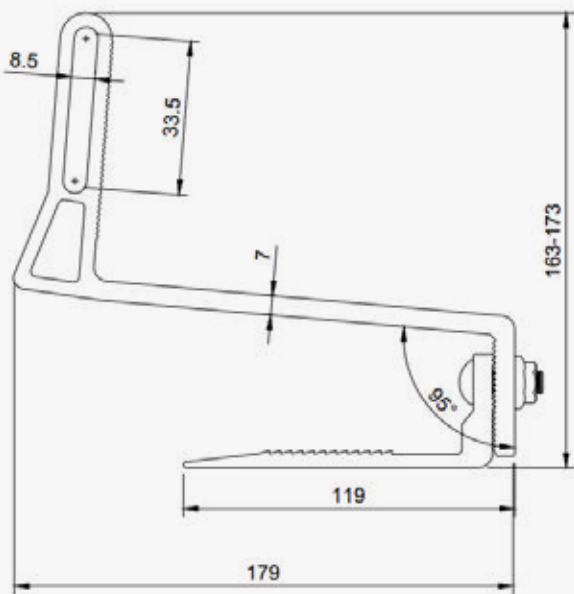
Article code 1INL15DE001

Material ALU6063T5

Color alu

Weight 310 gr

Application tiled roof



DATASHEET

Roof hook double adjustable

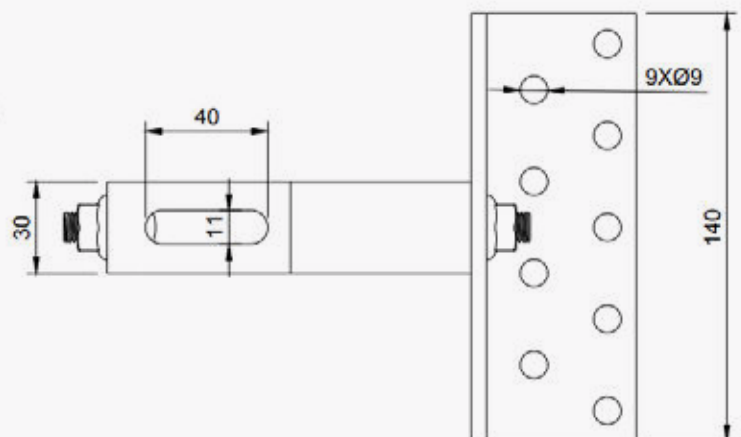
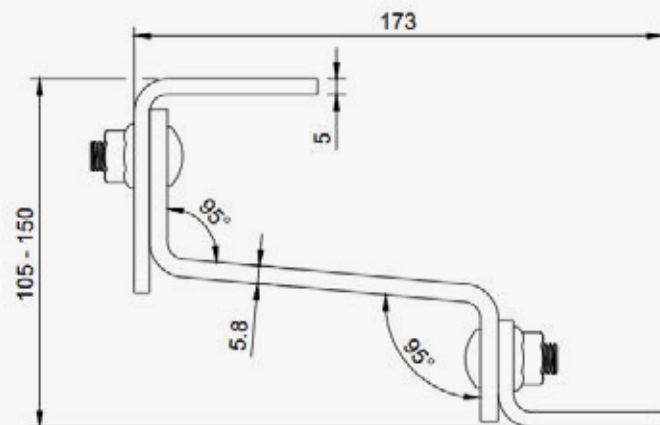
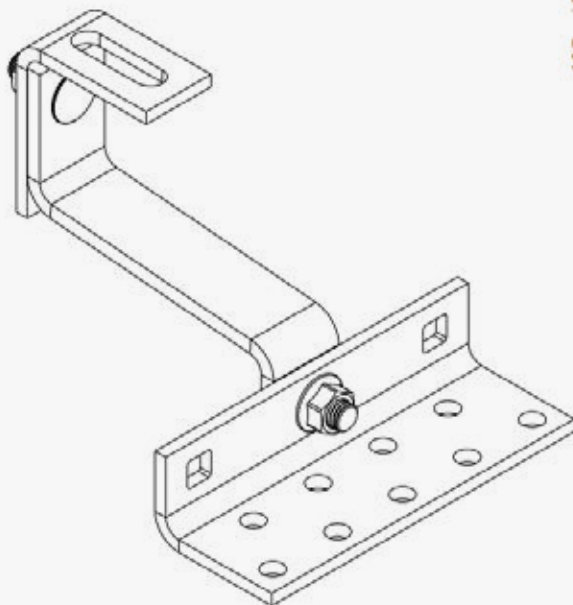
Article code 1HME15DD001

Material SS304

Color SS

Weight 790 gr

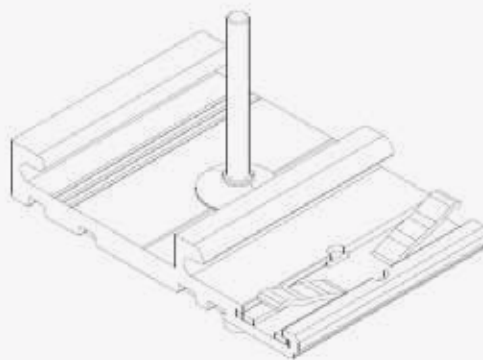
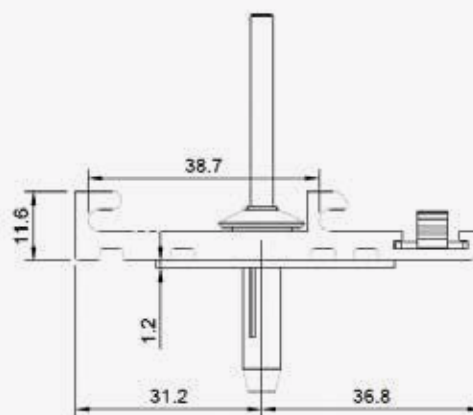
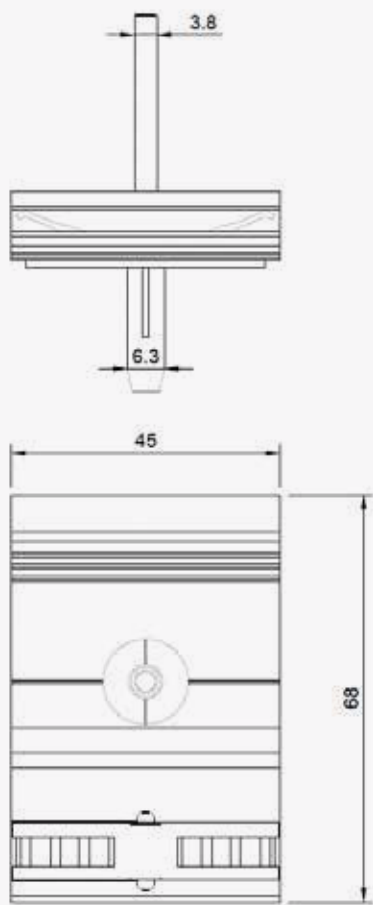
Application tiled roof



DATASHEET

Bracket INLAY with rivet

Article code	1INL15DV003
Material	ALU6063 + SS304 + EPDM
Color	alu
Weight	50 gr
Application	steel deck trapezoid



DATASHEET

Hook INLAY corrugated sheet

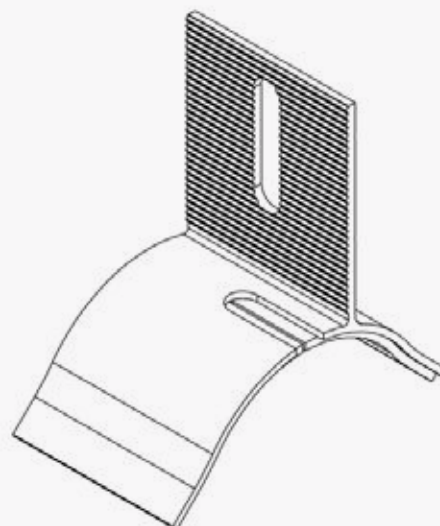
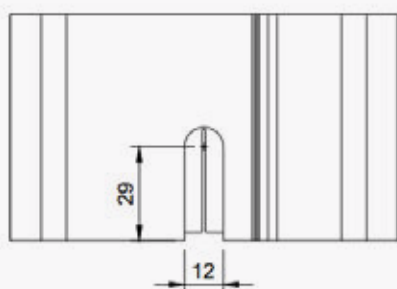
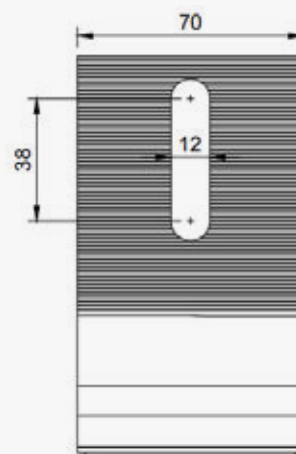
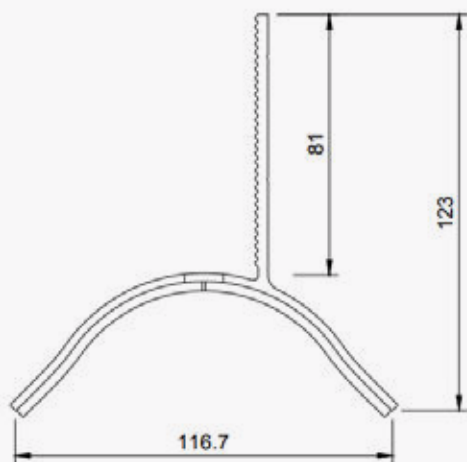
Article code 1INL15DV007

Material ALU6063 + EPDM

Color alu

Weight 130 gr

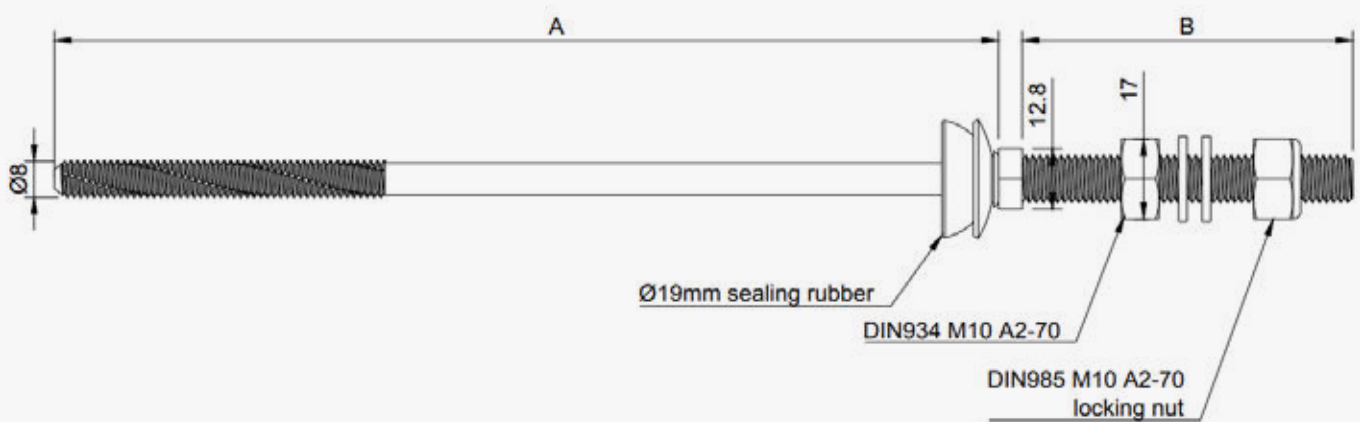
Application corrugated roof



DATASHEET

Hanger bolt for metal construction

Article code	1HME15SS026 (8x200/70)
Material	SS304
Color	SS
Weight	120 gr
Application	corrugated roof, steel beams

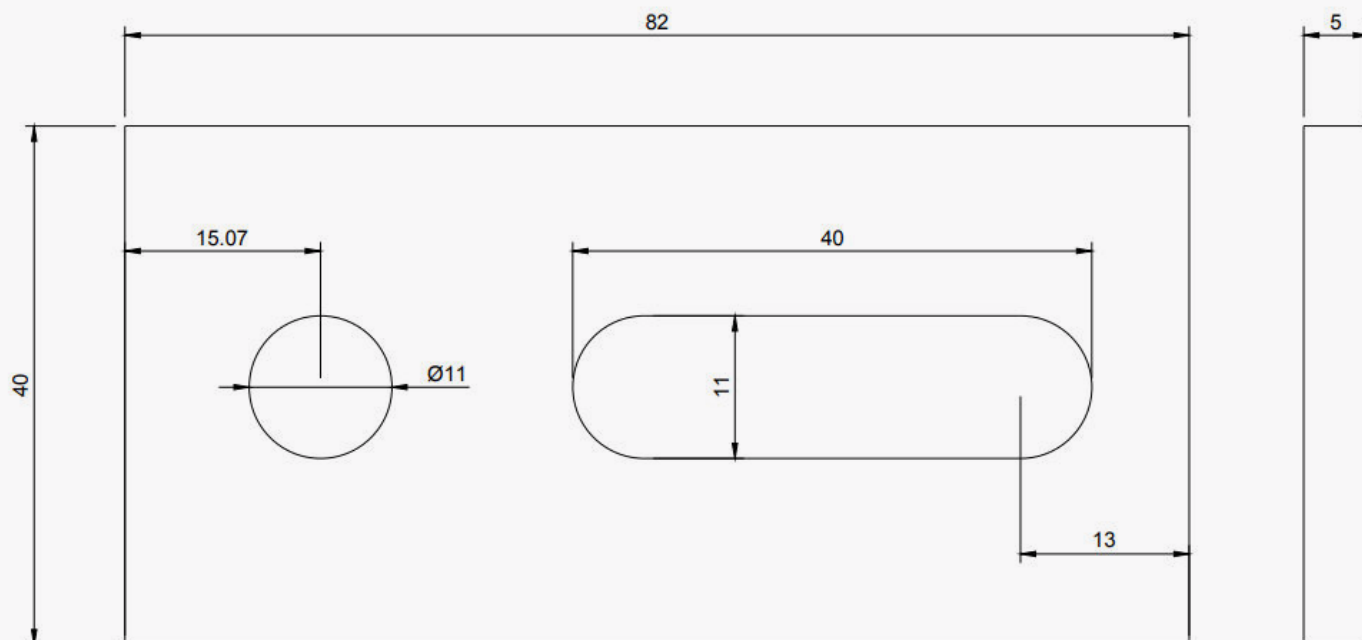


	Alu	A (in mm)	B (in mm)
hanger bolt 8,00x200/50	1HME15SS001	200	50
hanger bolt 8,00x200/70	1HME15SS026	200	70
hanger bolt 8,00x150/70	1HME15SS002	150	70

DATASHEET

Mounting plate 110x40x5 mm

Article code	1HMEACMP001
Material	SS304
Color	SS
Weight	140 gr
Application	corrugated roof, hanger bolt



DATASHEET

Hanger screw with mounting plate

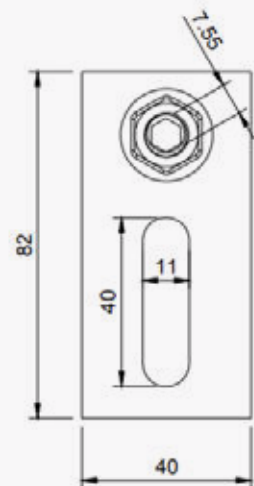
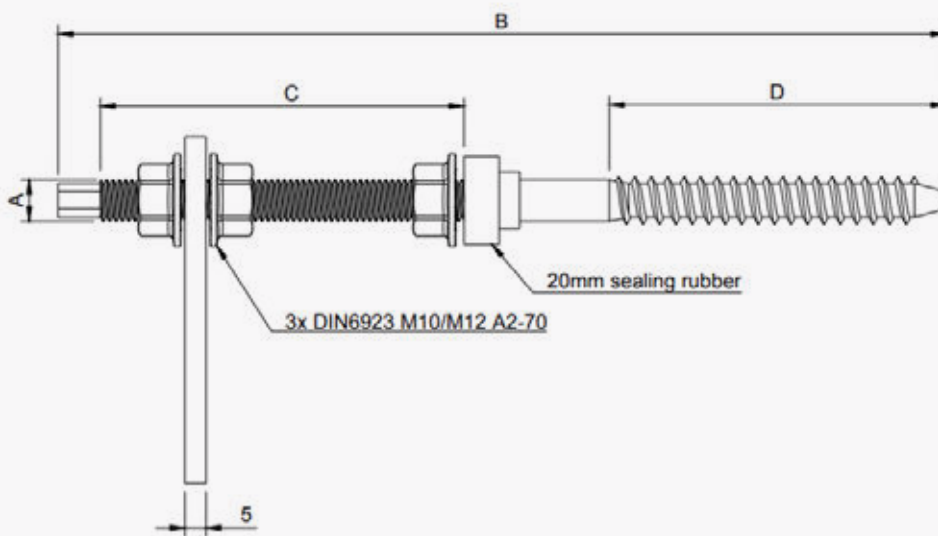
Article code 1HME15SS004 (M10x200)

Material RVS304

Color SS

Weight 220 gr

Application corrugated roof



	Alu	A (in mm)	B (in mm)	C (in mm)	D (in mm)	kg
hanger screw M10x200	1HME15SS004	10	200	85	67	0,220
hanger screw M10x250	1HME15SS005	10	250	85	67	0,250
hanger screw M10x300	1HME15SS007	10	300	150	67	0,275

DATASHEET

Bottom profile INLAY

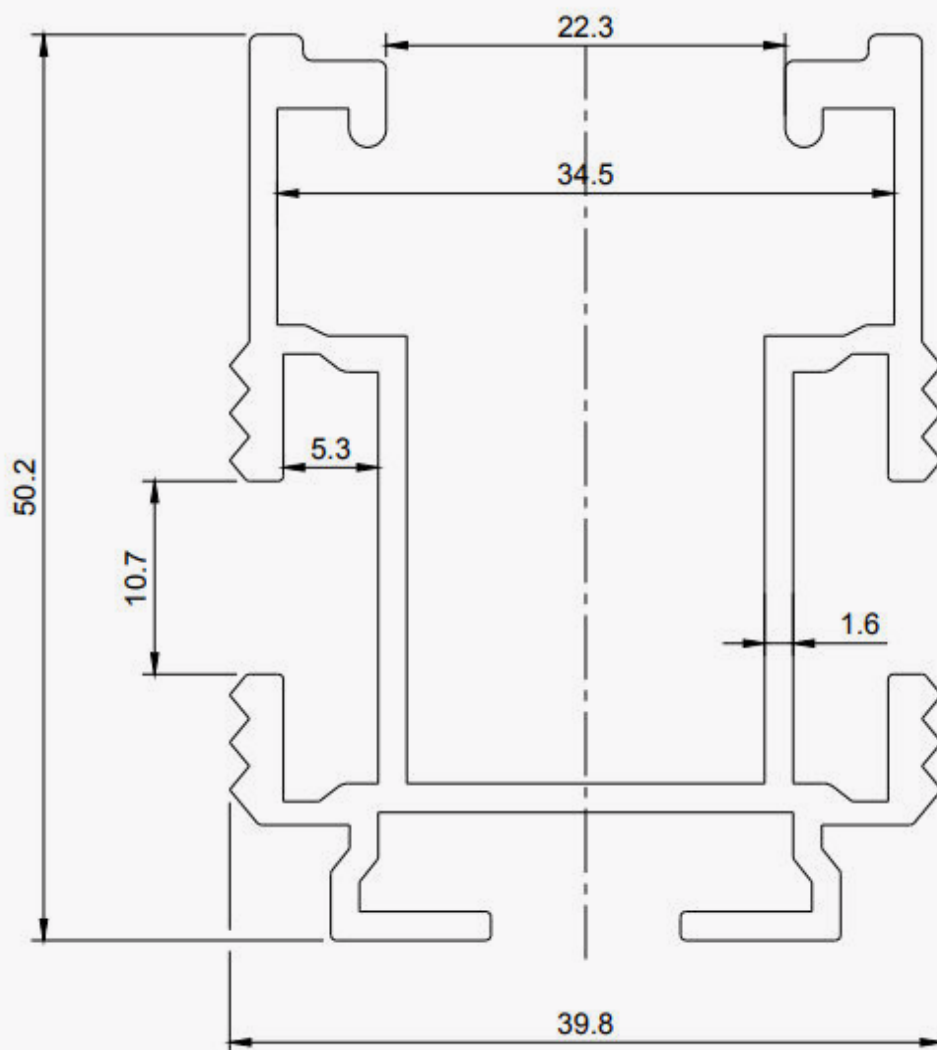
Article code 1INL43AL001 (6,20 m alu)

Material ALU6063T5

Color alu / black

Weight 1014 gr / m

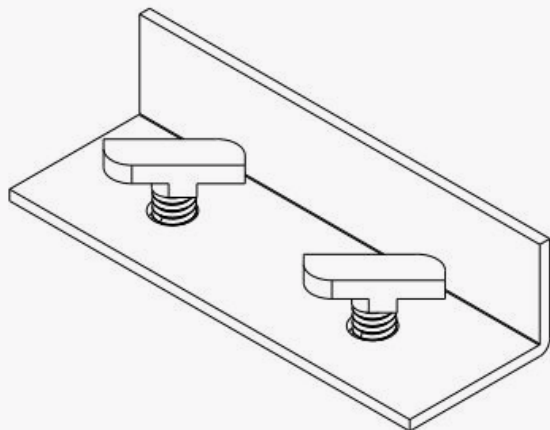
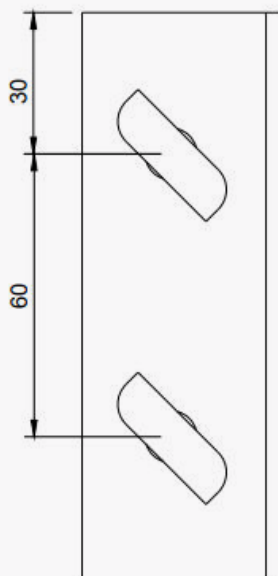
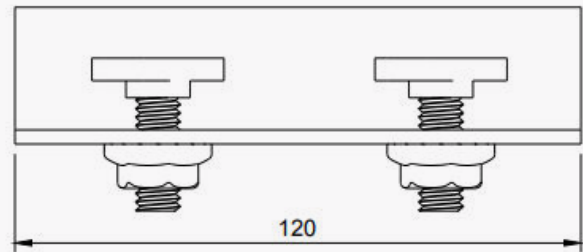
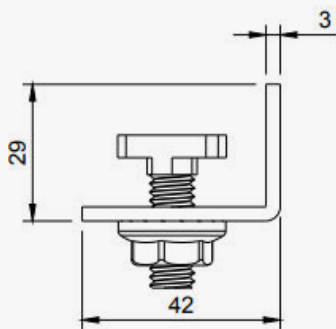
Application tiled roof, corrugated roof



DATASHEET

Profile connector bottom profile INLAY

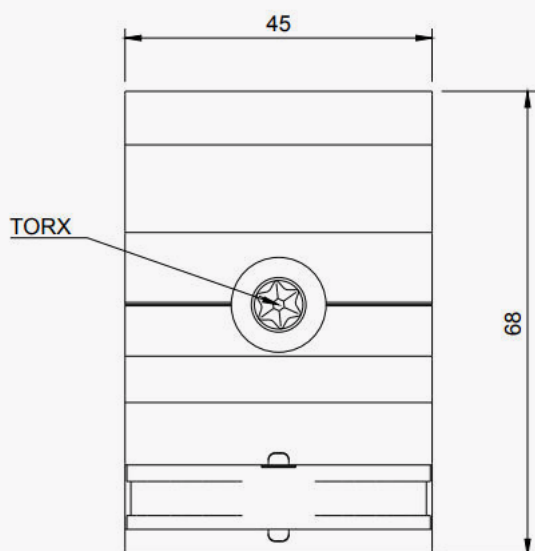
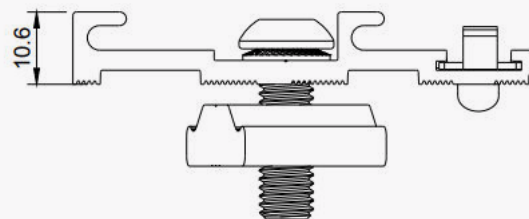
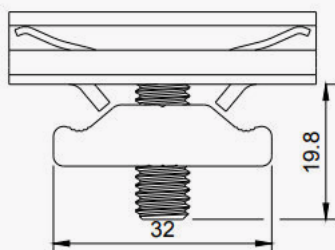
Article code	1INL43PV003 (2x hammerhead bolt M10x20, knurled nut M10)
Material	ALU6063 + SSA2
Color	alu
Weight	120 gr
Application	tiled roof, corrugated roof



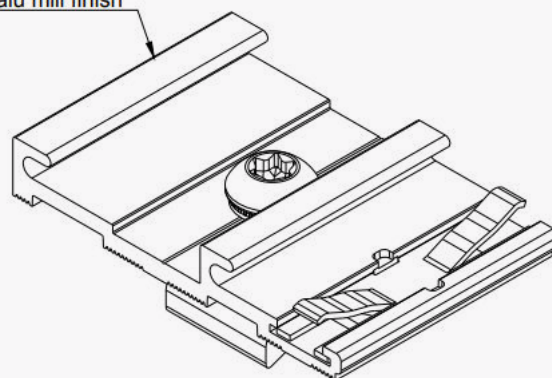
DATASHEET

Bracket INLAY with bolt

Article code	1INLI5DV004
Material	ALU6063T5
Color	alu
Weight	60 gr
Application	tiled roof, corrugated roof



ALU6063T5
color: natural alu mill finish



DATASHEET

Profile INLAY

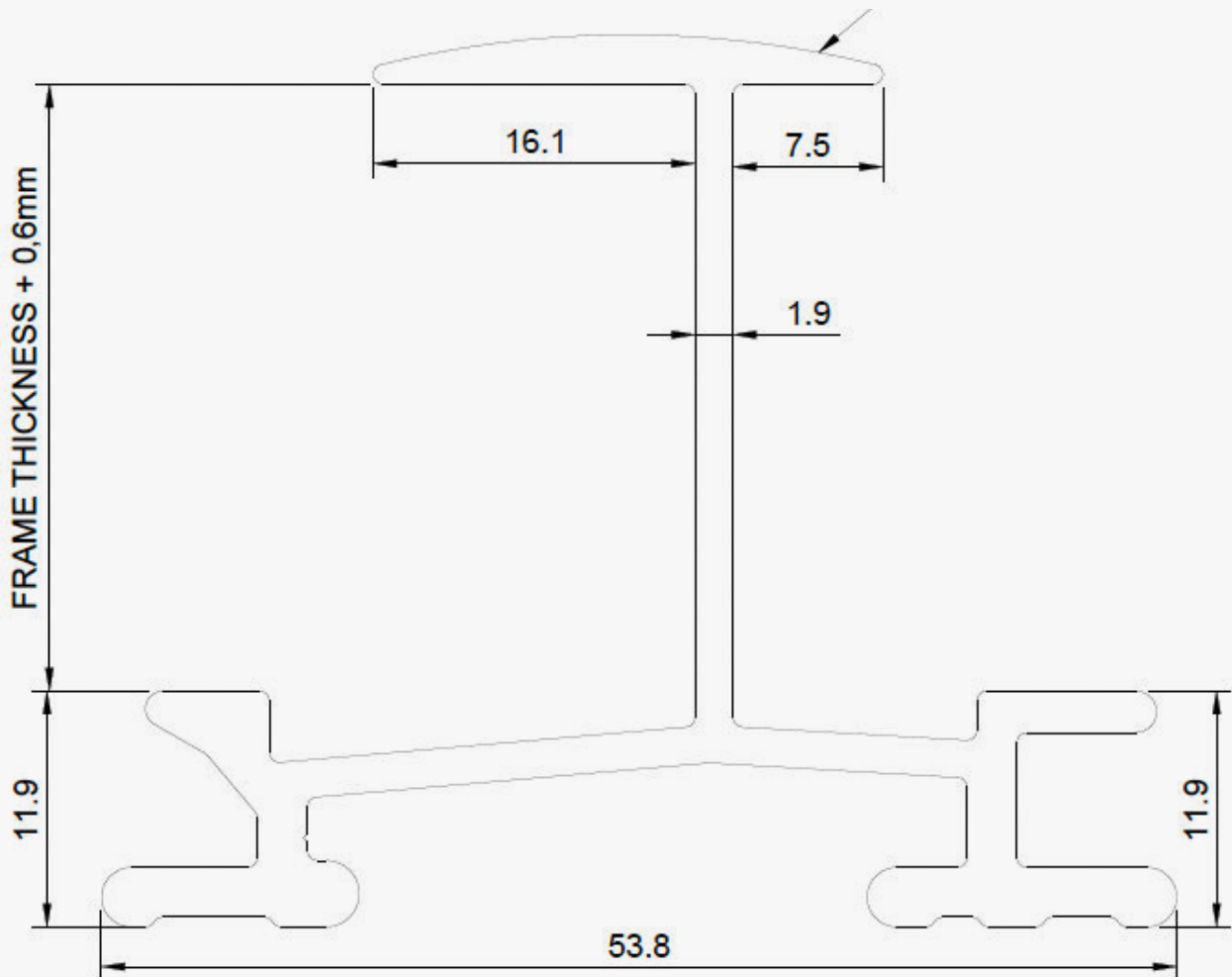
Article code	1INL43AL017 (30 mm 6,20 m alu) 1INLZW011 (30 mm 6,20 m black) 1INL43AL005 (35 mm 6,20 m alu)
---------------------	--

Material	ALU6063T5
-----------------	-----------

Color	alu / black
--------------	-------------

Weight	1014,50 gr / m
---------------	----------------

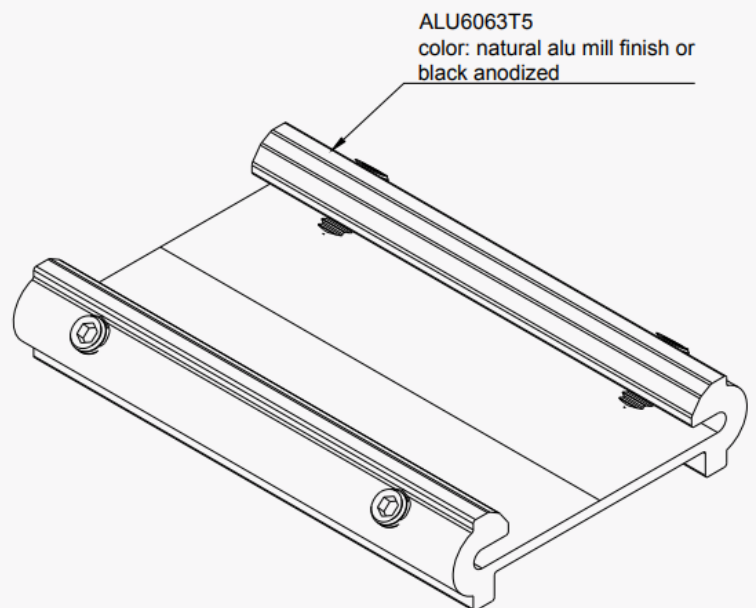
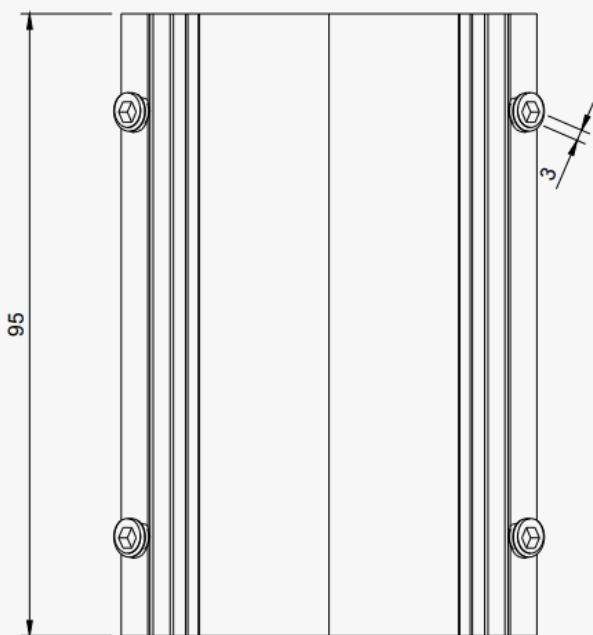
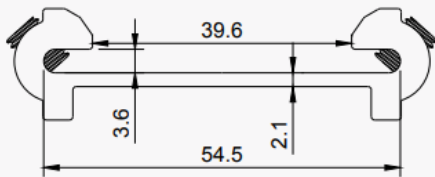
Application	tiled roof, steel deck trapezoid, corrugated roof
--------------------	---



DATASHEET

Profile connector INLAY

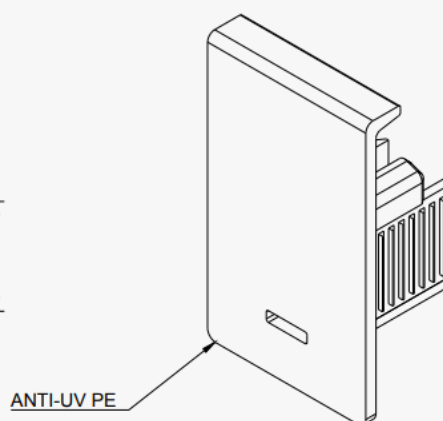
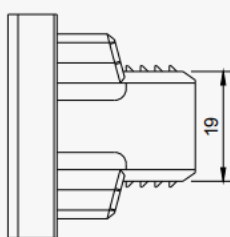
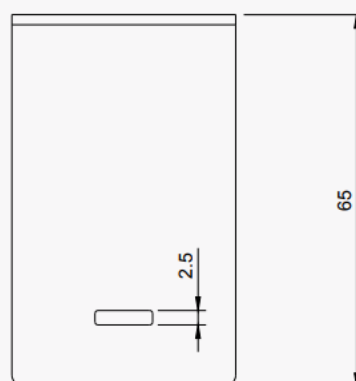
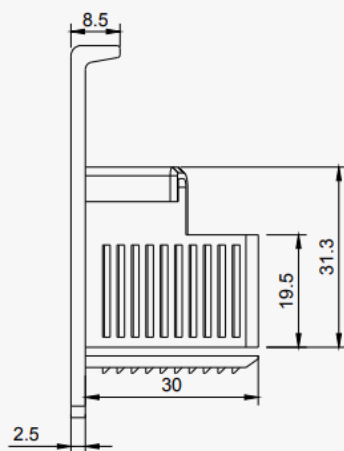
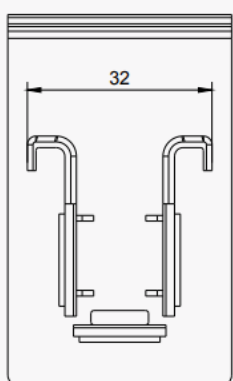
Article code	1INL43AC003 (2x M6 bout alu) 1INL43PV004 (2x M6 bout black)
Material	ALU6063T5
Color	alu / black
Weight	80 gr
Application	tiled roof, steel deck trapezoid, corrugated roof



DATASHEET

Stopper bottom profile INLAY

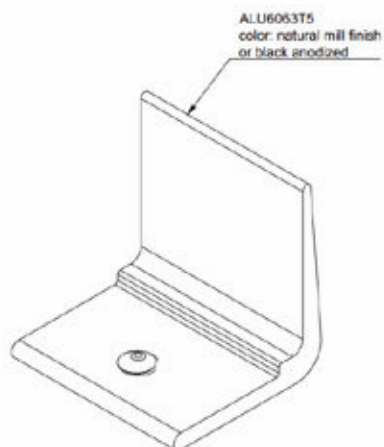
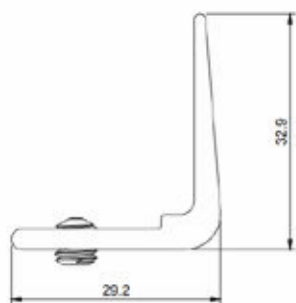
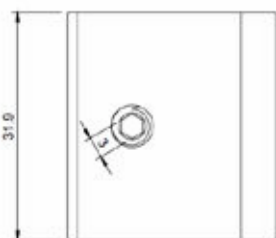
Article code	1INL43AC005 (grey) 1INL43AC004 (Black)
Material	anti-UV PE
Color	alu / black
Weight	10 gr
Application	tiled roof, corrugated roof



DATASHEET

End cap profile INLAY

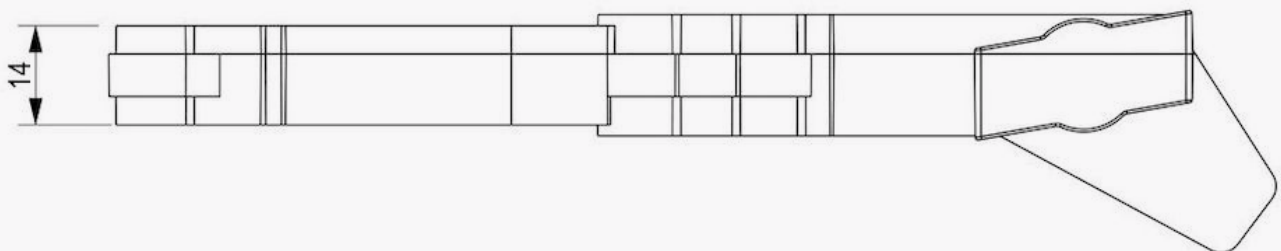
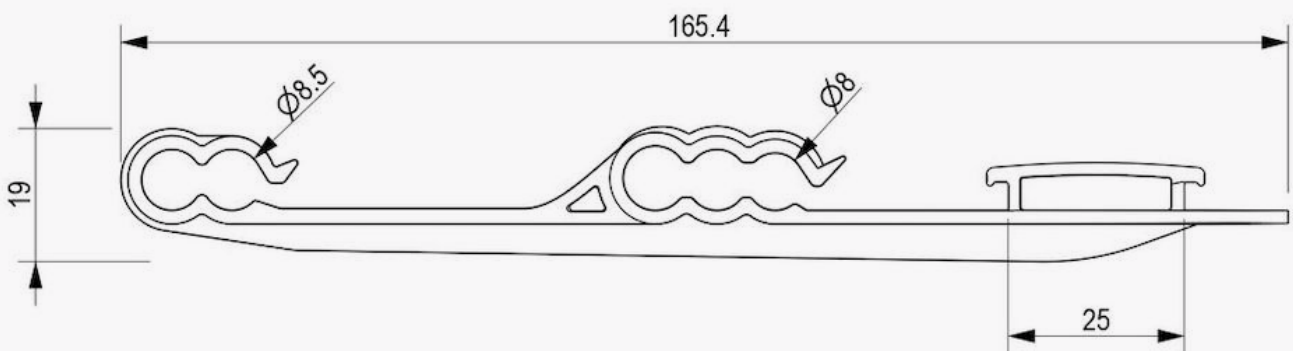
Article code	1INL43AC001 (grey) 1INL43AC002 (Black)
Material	ALU6063T5
Color	alu / black
Weight	20 gr
Application	tiled roof, corrugated roof



DATASHEET

Cable clip INLAY

Article code	11NL99AC001
Material	P166
Color	black
Weight	20 gr
Packaging	tiled roof, steel deck trapezoid, corrugated roof



DATASHEET

Hammerhead bolt M8x25 Knurled nut M8



Hammerhead bolt M8x25

Article code 1HME10BT003

Material SSA2

Color SS

Weight 21 gr

Application tiled roof



Knurled nut M8

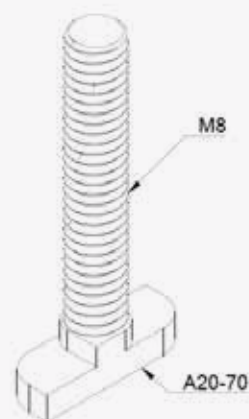
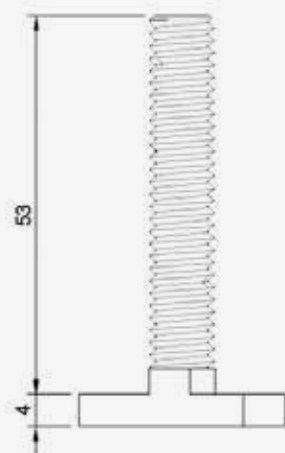
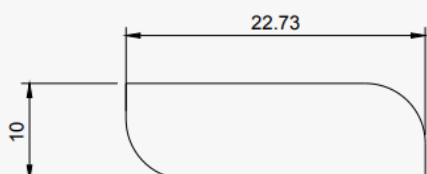
Article code 1HME10MR001

Material SSA2

Color SS

Weight 9 gr

Application hammerhead bolt M8



DATASHEET

Hammerhead bolt M10x30 Knurled nut M10



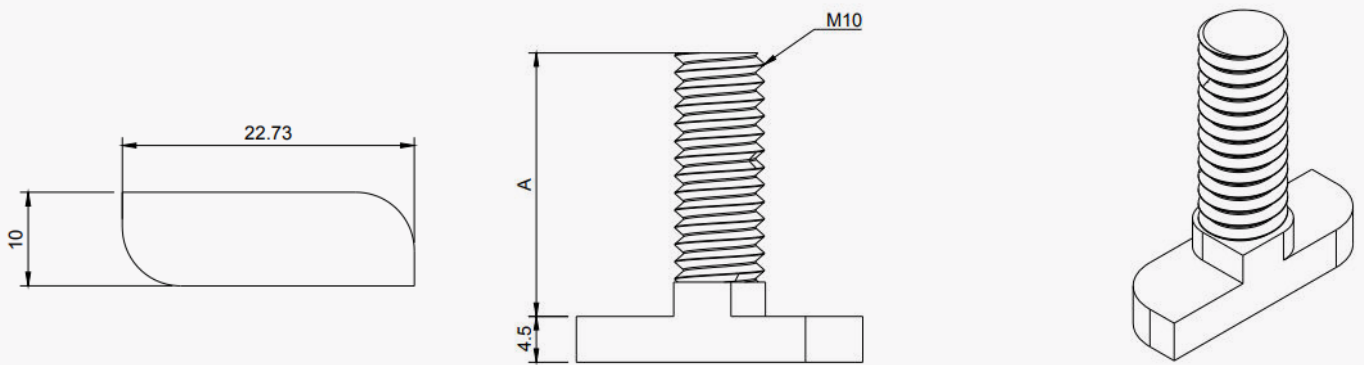
Hammerhead bolt M10X30

Article code	1HME10BT048
Material	SSA2
Color	SS
Weight	20 gr
Packaging	tilted roof



Knurled nut M10

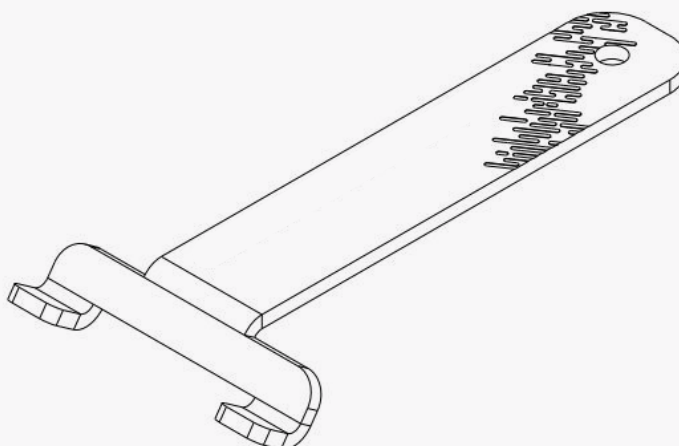
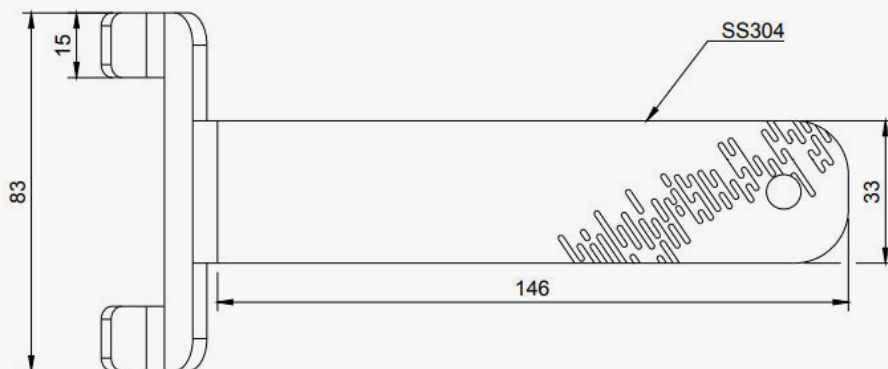
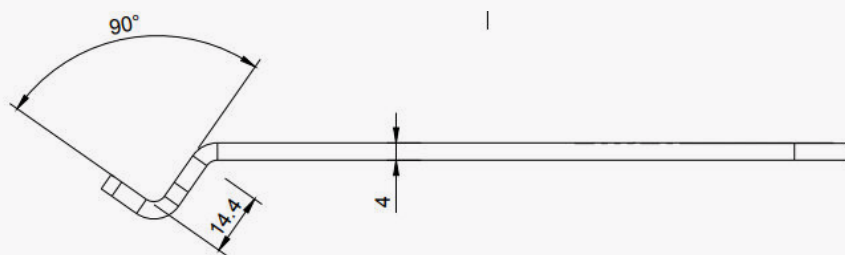
Article code	1HME10MR003
Material	SSA2
Color	SS
Weight	11 gr
Application	hammerhead bolt M10



DATASHEET

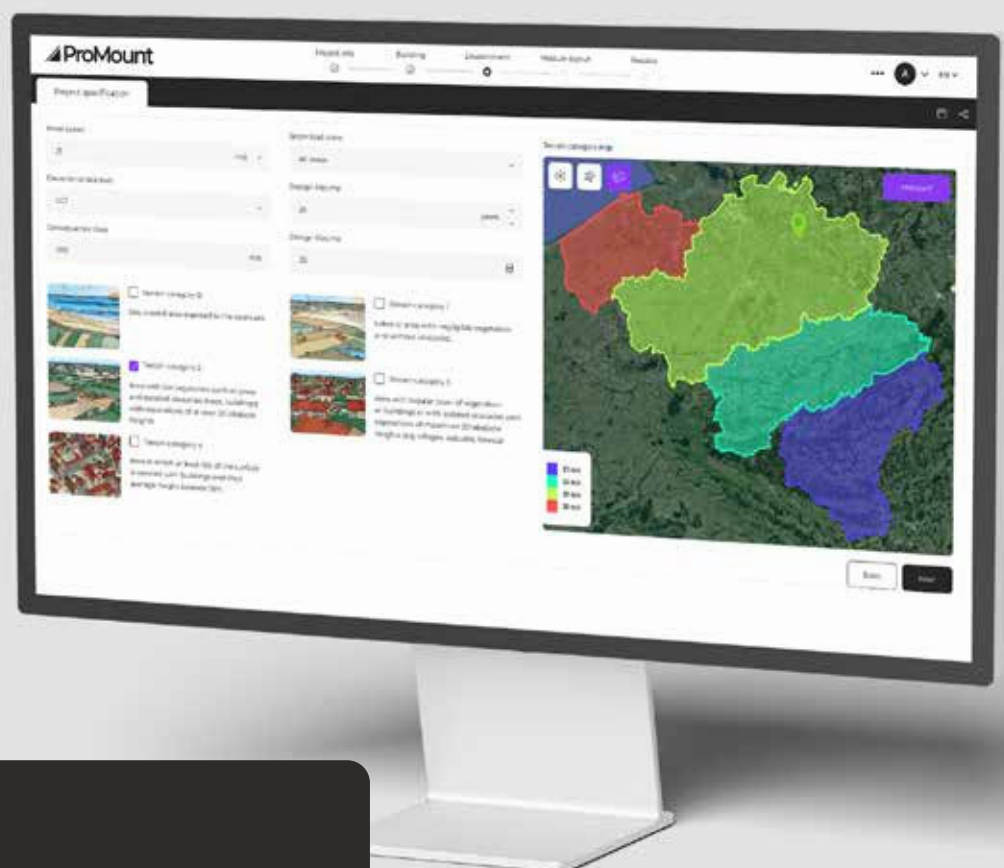
Release tool

Article code	1INL99AC002
Material	SS304
Color	SS
Weight	190 gr
Application	steel deck trapezoid



ProMount calculator

Easily calculate and manage all your projects with our ProMount calculator for pitched roofs. Choose your location, roof type, solar panels and mounting system and you will immediately receive a complete project overview with corresponding bill of materials.



Feature

All calculations have been extensively tested according to the latest safety standards. You will receive a complete overview of all safety margins and permitted forces.

Discover our other mounting systems



SLIDE

SLIDE makes solar installations effortless on tile, corrugated and steeldeck roofs, offering flexible portrait or landscape mounting with a precise fit for every panel.



HOME

ProMount HOME is our most versatile mounting system, combining flexibility, speed and proven durability for reliable residential and commercial installations.



SOLARSPEED

The SOLARSPEED system for flat roofs is available in both south-facing and east-west-facing configurations and supports installation in both landscape and portrait orientations, making it versatile for a wide range of roof configurations.



Support

Do you have any questions, need assistance, or have a custom request? Please contact us. Our representatives would be happy to help you.

Arne Van Snick

East & West Flanders Region

Tel: +32 (0)491 61 00 75

arne@promountsolar.com

Jawad Lahouari

Wallonia, Brussels, Flemish Brabant Region

Tel: +32 (0)499 92 78 20

j.lahouari@promountsolar.com

Toon Kissemeek

Antwerp and Limburg Region

Tel: +32 (0)485 82 39 27

toon@promountsolar.com



