

ProMount SLIDE Catalog

Pitched roof mounting system



Table of content

Discover ProMount SLIDE

Built for residential projects, combining precision and clean design. SLIDE enables fast installation on tile, corrugated, and steeldeck roofs. With integrated cable clips and optimizer holders, it supports both portrait and landscape mounting for a precise, aesthetic finish.

About us 4

System benefits 6

Configurations 8

Tiled roofs 8

Steeldeck roofs 10

Corrugated roofs 12

Tested & certified 16

Product sheets 18

ProMount calculator 34

About us

At ProMount, we believe going solar shouldn't be complicated. That's why we created mounting systems that are easy to understand, quick to install, and built to last.



Our mounting systems are engineered for maximum safety, proven durability, and easy installation—helping you complete projects faster and with total confidence. We deliver on our promises with on-time delivery, clear guidance, and solutions that keep performing for years to come.

People are at the heart of everything we do. Our team brings together a wide range of expertise to create, deliver, and support solar mounting solutions that are reliable and easy to use. By combining our knowledge and commitment, we make every project run smoothly from start to finish.

System benefits

Complete

SLIDE is a compact mounting system suitable for different roof types. SLIDE is fully assembled, including cable clips and optimizer holders.

Flexible

SLIDE is hybrid in design and can be mounted in both portrait and landscape. The roof hooks and clamps are adjustable in height resulting in a perfect fit for every roof and panel.

Time-saving

The double adjustable roof hook can be used for both sliding and screw mounting. All parts can be quickly connected by rotary movements.

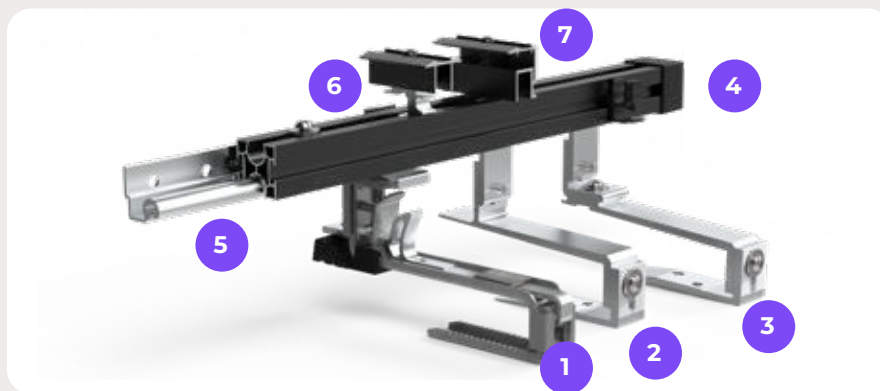












Tiled Roof



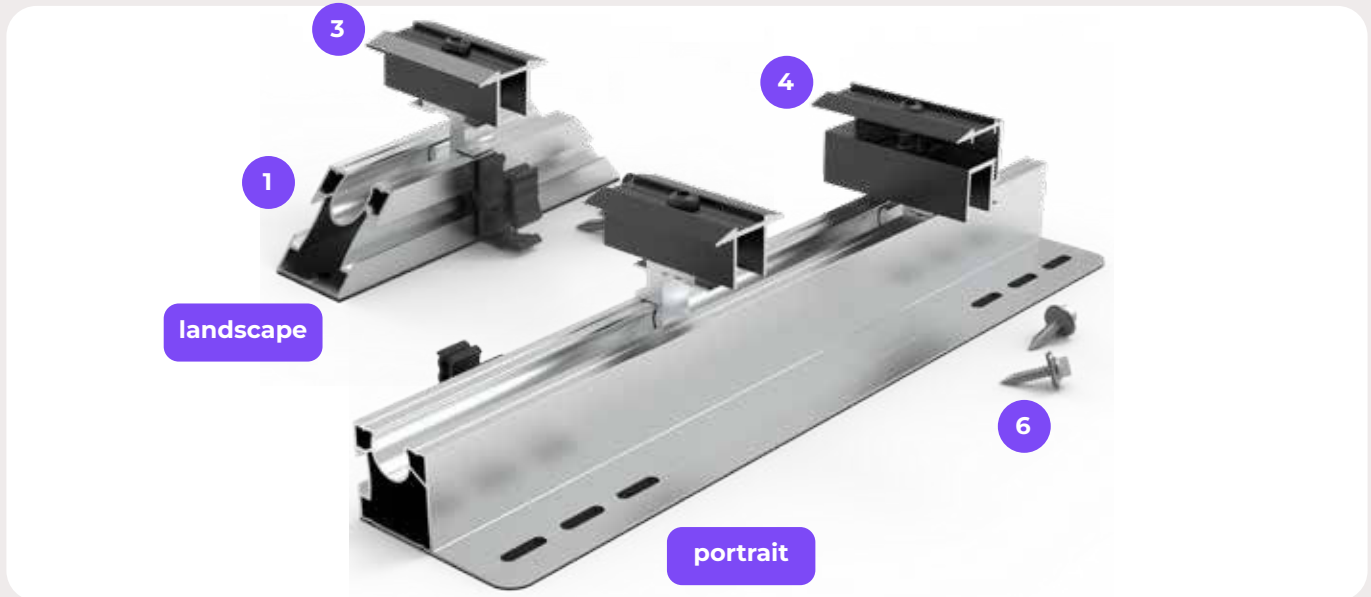
Components



	Article code	Article description	Datasheet
	1SLD15DD005	Roof hook FastNSafe SLIDE	p. 18
	1SLD15DE001	Roof hook single adjustable SLIDE	p. 19
	1SLD15DD002	Roof hook double adjustable SLIDE	p. 20
	1SLD43AL015 1SLD43AL022	Profile SLIDE 4,80 m alu Profile SLIDE 6 m alu Other lengths available on request	p. 24
	1SLD43PV001	Profile connector SLIDE	p. 25
	1HMEACPS002 1HME0ACPS001	End cap for profile 40x40 grey End cap for profile 40x40 black	p. 26
	1SLD32AL001 1SLD32ZW001	Middle clamp SLIDE alu Middle clamp SLIDE black	p. 27
	1SLD32AL002 1SLD32ZW002	End clamp SLIDE alu End clamp SLIDE black	p. 28
	1SLD99AC002	Optimizer holder SLIDE	p. 29
	1HFR10BT001	Hammerhead bolt SLIDE M8x18 mm with knurled nut	p. 30

Steel deck

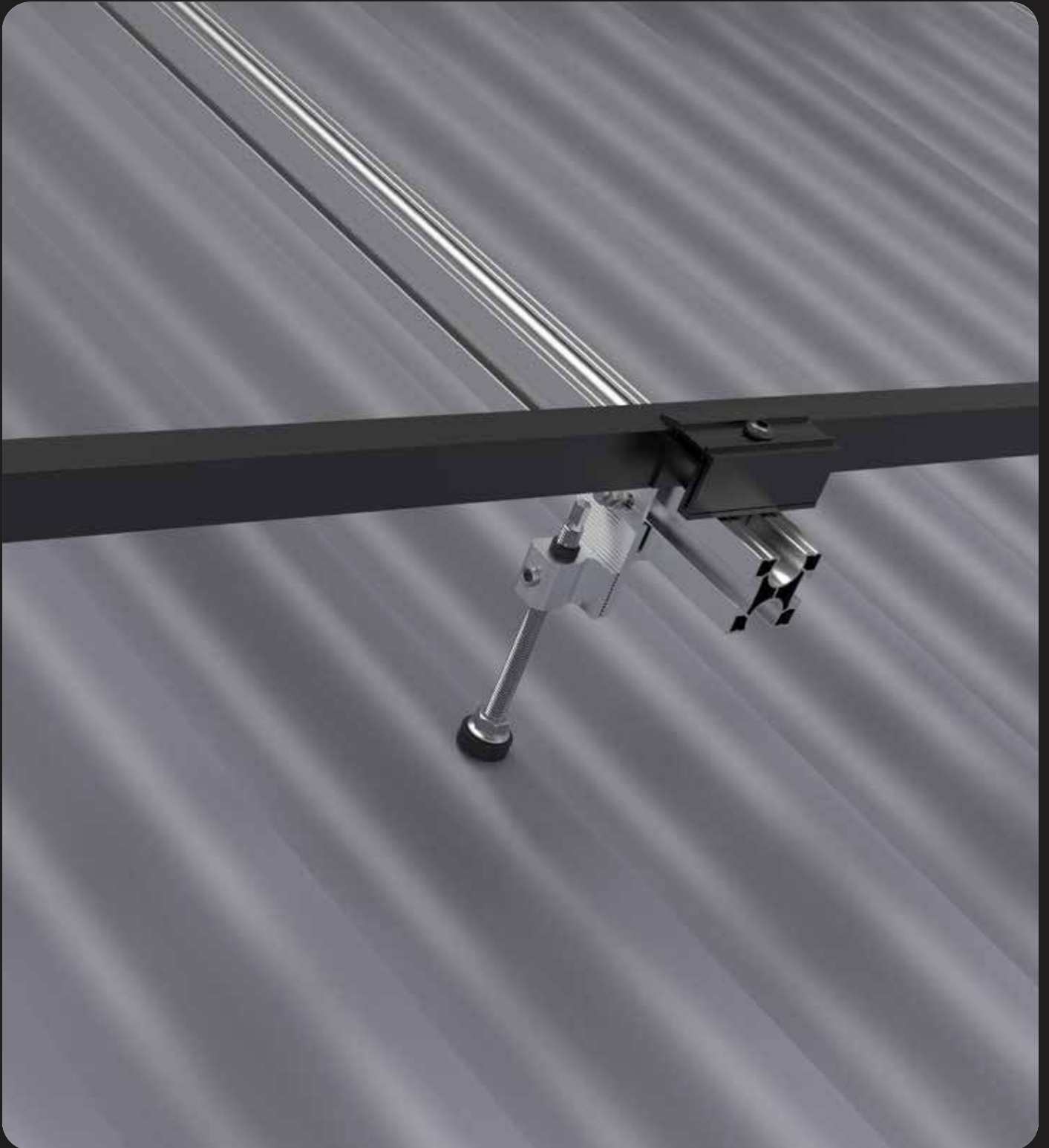




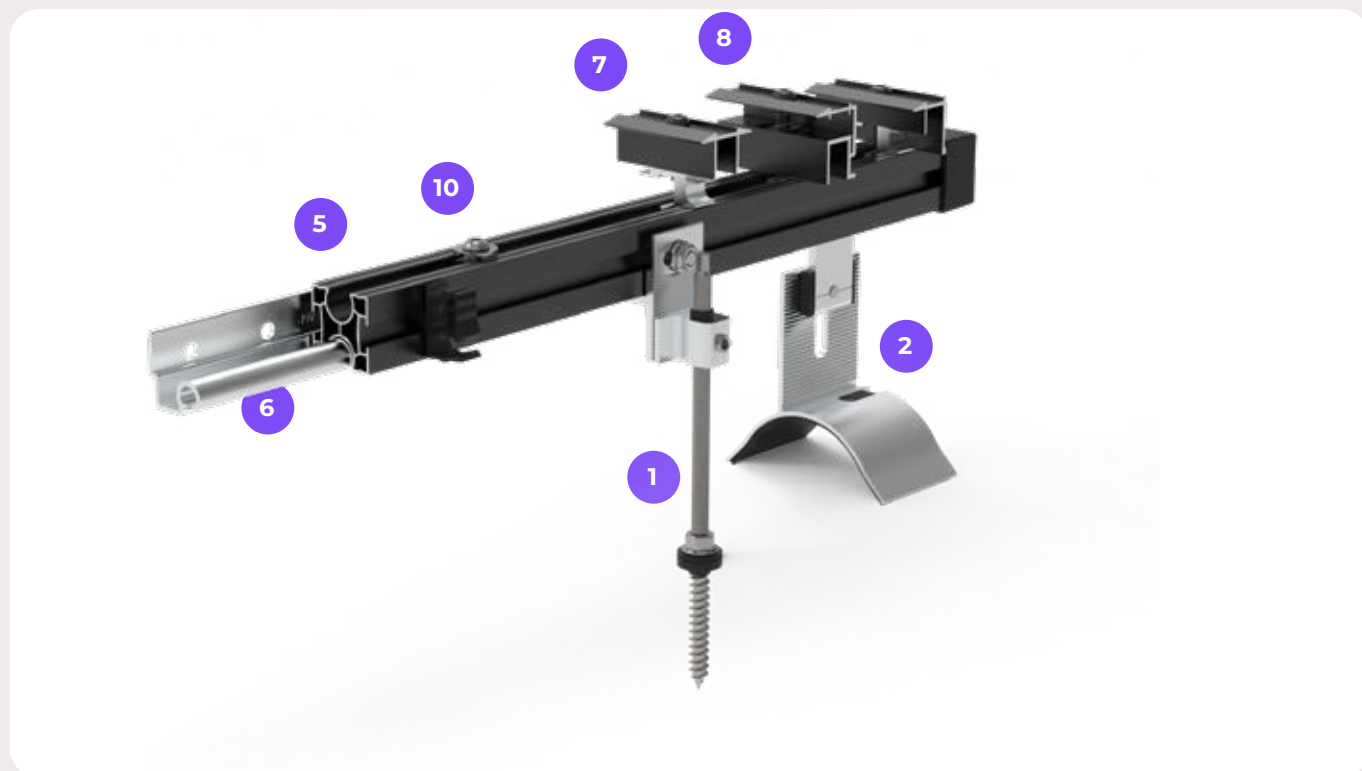
Components















	Article code	Article description	Datasheet
	1SLD15SD001	Steel deck plate landscape SLIDE	p. 21
	1SLD32AL001 1SLD32ZW001	Middle clamp SLIDE alu Middle clamp SLIDE black	p. 27
	1SLD32AL002 1SLD32ZW002	End clamp SLIDE alu End clamp SLIDE black	p. 28
	1SLD99AC002	Optimizer holder SLIDE	p. 29
	1HFR10BT001	Hammerhead bolt SLIDE M8x18 mm with knurled nut	p. 30
	1HME46BM003	Bi-metal screw 6,0x25	p. 31

Corrugated roof



Components



	Article code	Article description	Datasheet
 	1SLD15SS001	Hanger screw M10x200	p. 22
 	1INL15DV007	Hook for corrugated roof with EPDM	p. 23
 	1SLD43AL015 1SLD43AL022	Profile SLIDE 4,80 m alu Profile SLIDE 6m alu Other lengths available on request	p. 24
 	1SLD43PV001	Profile connector SLIDE	p. 25
 	1HMEACPS002	End cap for profile 40x40 grey	p. 26
 	1HME0ACPS001	End cap for profile 40x40 black	
 	1SLD32AL001 1SLD32ZW001	Middle clamp SLIDE alu Middle clamp SLIDE black	p. 27

8

**Article code****Article description****Datasheet**1SLD32AL002
1SLD32ZW002End clamp SLIDE alu
End clamp SLIDE black

p. 28



1SLD99AC002

Optimizer holder SLIDE

p. 29

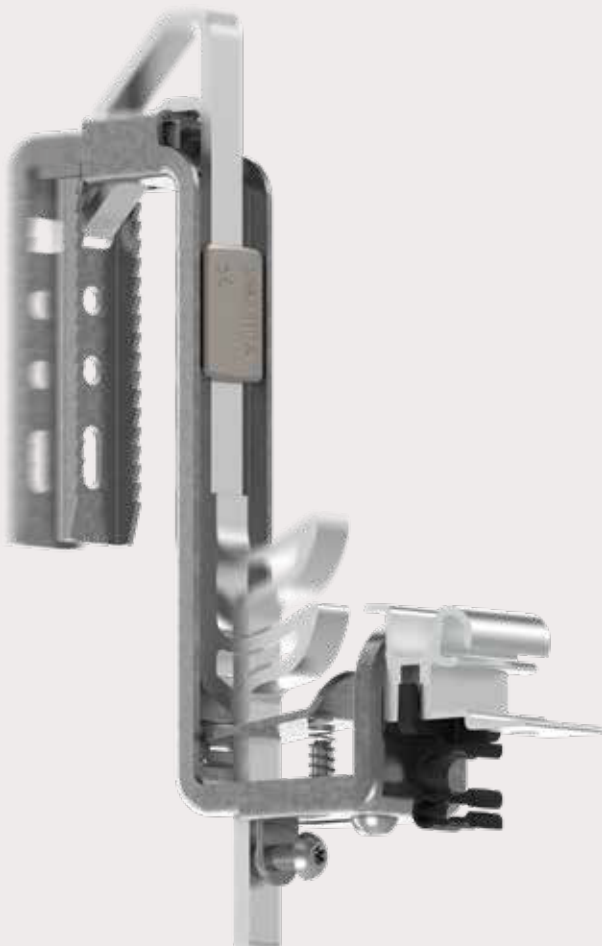


1HFR10BT001

Hammerhead bolt SLIDE M8x18 mm with knurled
nut

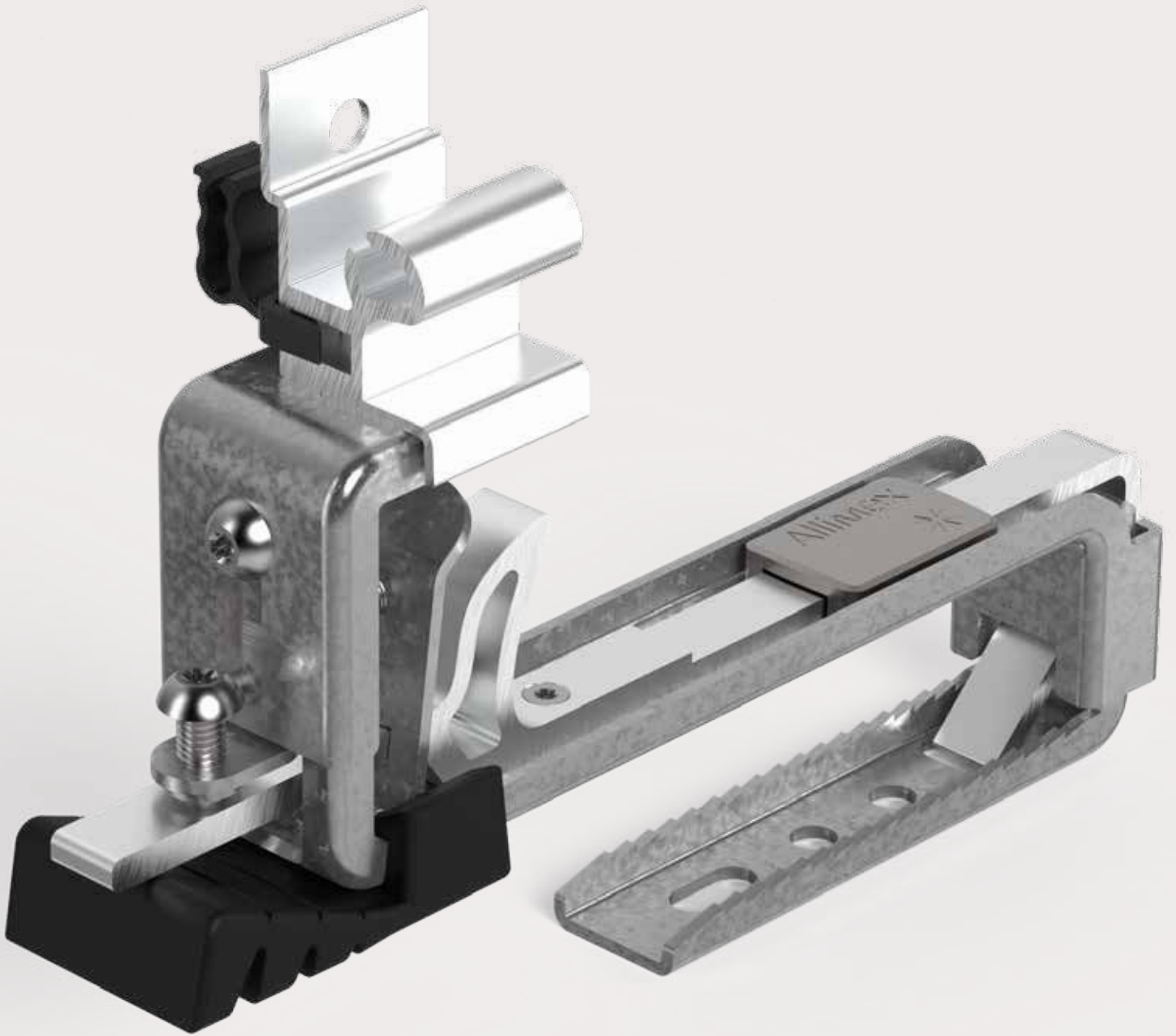
p. 30

Roof hook FastNSafe

**FastNSafe roof hook**

Install faster than ever with the FastNSafe roof hook! Thanks to the unique pulling mechanism, you install the roof hook with just one hand movement in less than 10 seconds.

- The roof hook is suitable for all types of tiles and can be converted from landscape to portrait position with a simple quick action.
- The FastNSafe roof hook clamps effortlessly around roof tiles and battens with a total thickness of 35 to 55 mm.
- FastNSafe reduces the risk of long-term injuries while working at height.
- Extra sturdy and corrosion resistant thanks to ZAM-coated steel.
- Easily adapted to a tension hook with screws.
- SLIDE attachment included.



Rubber

The FastNSafe roof hook is fully pre-assembled with a convenient rubber. This reduces point loads and eliminates the need to drill into the roof tiles to ensure watertightness. This keeps the waterproofing and strength of the roof tile intact. The roof hook also features a convenient cable clip. You simply click the cable into the cable clip without additional assembly.

Tested & certified

Developed and certified with leading institutins

Our products are developed in close collaboration with Hasselt University and engineered at TU Delft in our state-of-the-art R&D center. This ensures that every component is designed with precision, innovation, and reliability in mind.

Product sheets

Engineered for durability & performance

All ProMount mounting materials comply with European wind and snow load standards, giving you peace of mind in every installation. Our robust design and careful material selection allow your solar projects to withstand even the most demanding conditions.

Long-lasting finish & quality

We stand behind our products with a 25-year guarantee on all mounting materials. In addition, black anodized aluminum components come with a 10-year color retention guarantee, so your installation stays both functional and visually striking for years to come.

DATASHEET

FastNSafe SLIDE

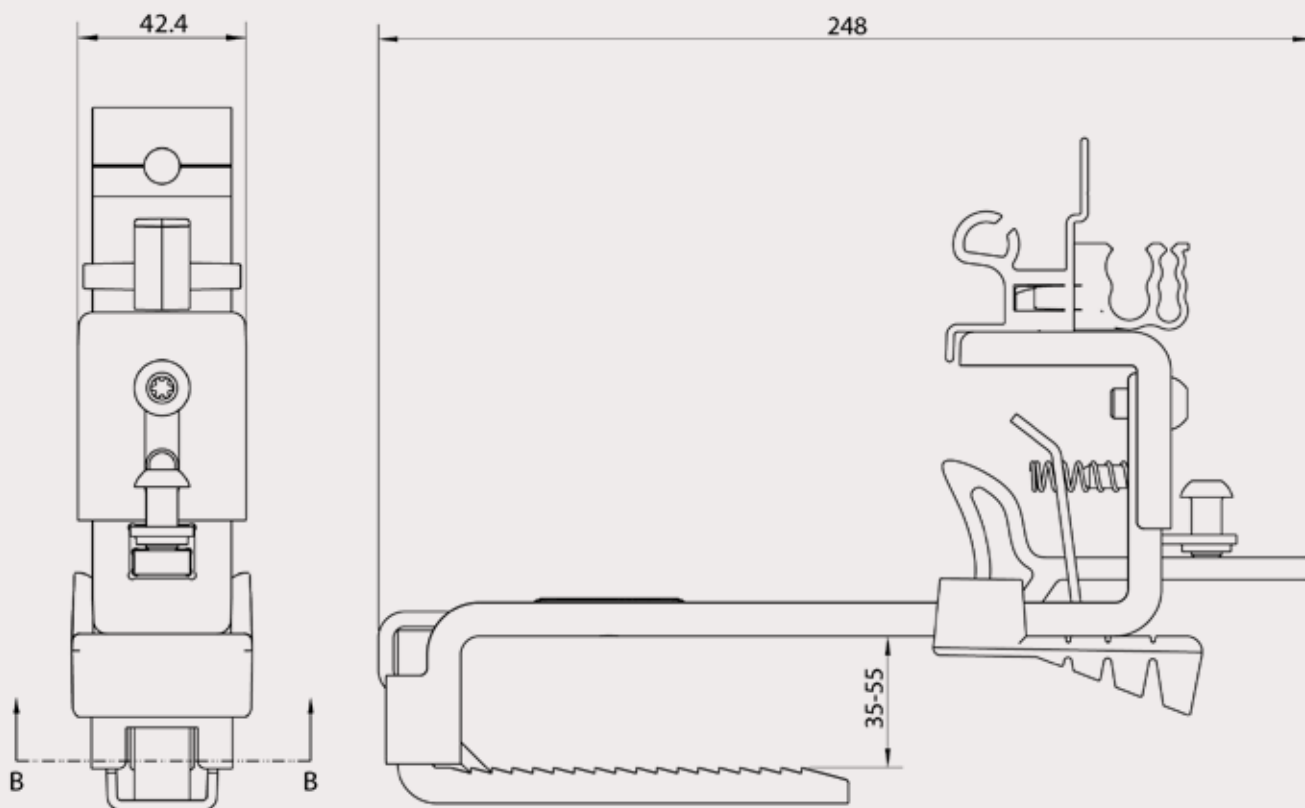
Article code 1SLD15DD005

Material Q235+ZAM, ALU6061, TPE black

Color alu

Weight 676 gr

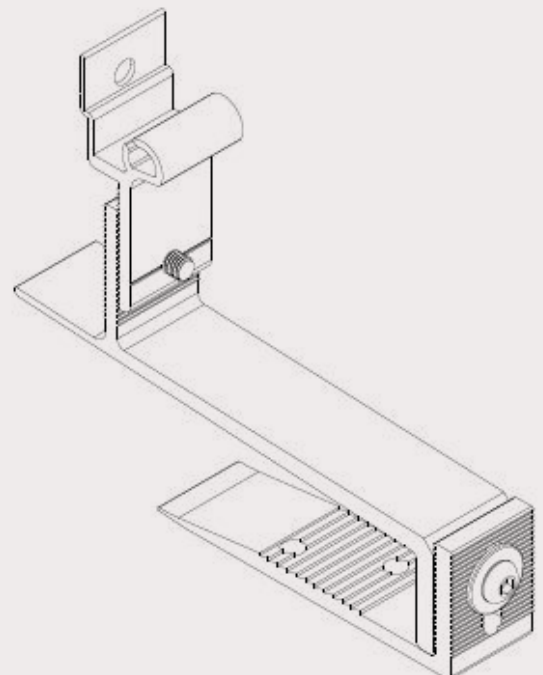
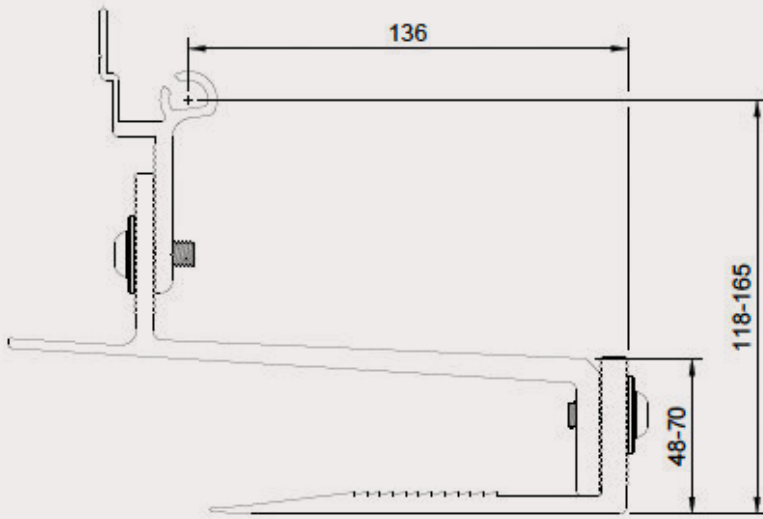
Application pitched roof, tiled roof



DATASHEET

Roof hook single adjustable

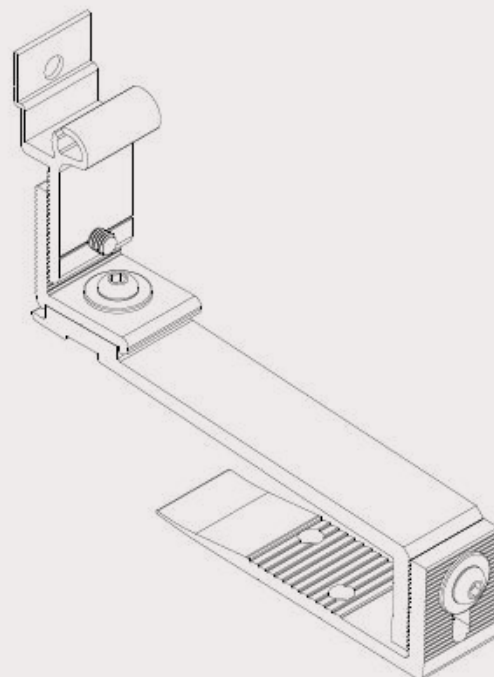
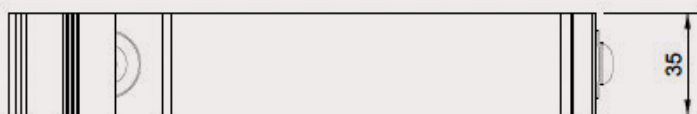
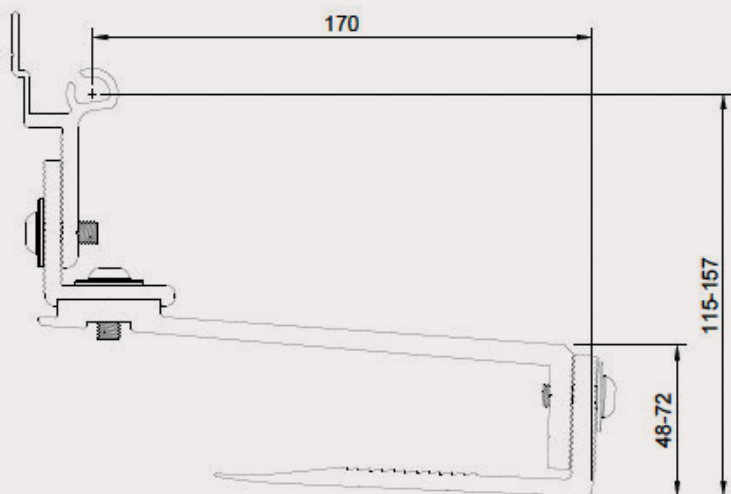
Article code	1SLD15DE001
Material	ALU6063T5
Color	alu
Weight	300 gr
Application	pitched roof, tiled roof



DATASHEET

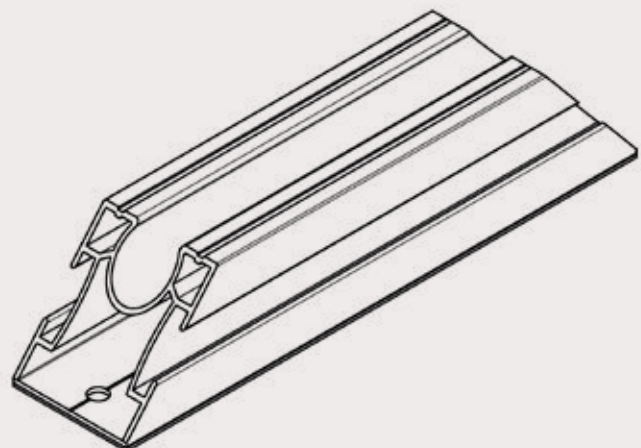
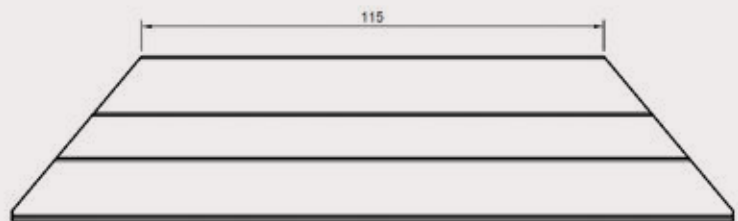
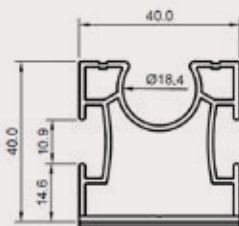
Roof hook double adjustable

Article code	1SLD15DD002
Material	ALU6063T5
Color	alu
Weight	310 gr
Application	pitched roof, tiled roof



Steel deck plate landscape

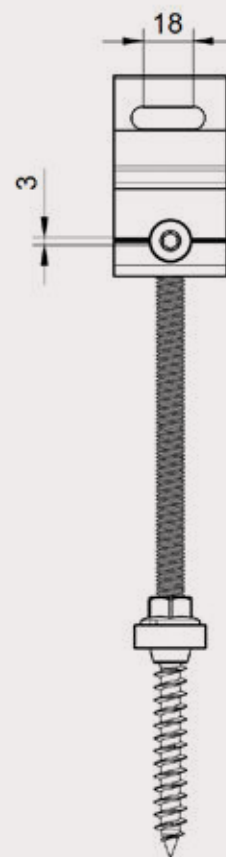
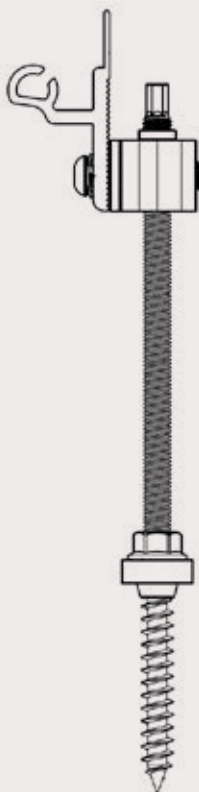
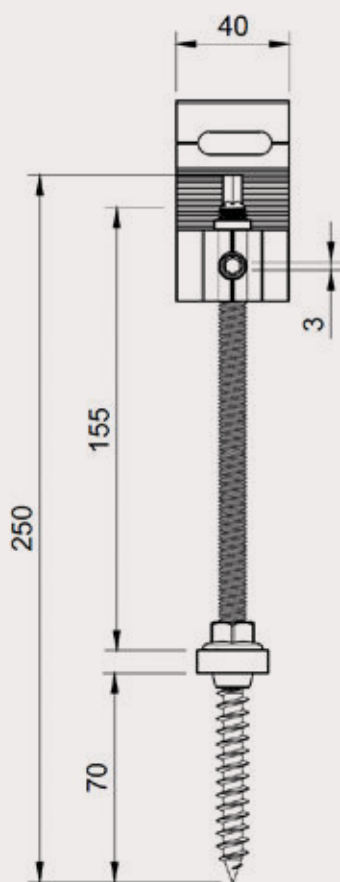
Article code	1SLD15SD001
Material	ALU6063T6 + EPDM
Color	alu
Weight	130 gr
Application	pitched roof, steel deck trapezoid



DATASHEET

Hanger screw SLIDE

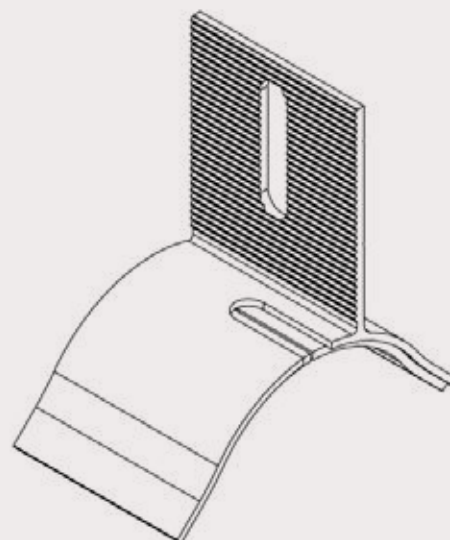
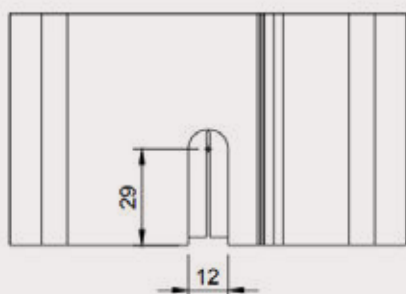
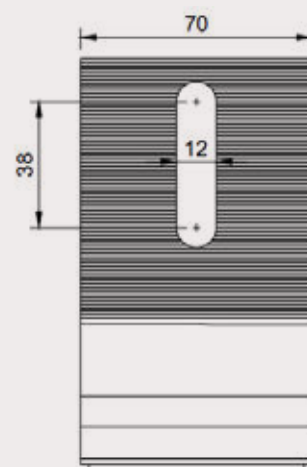
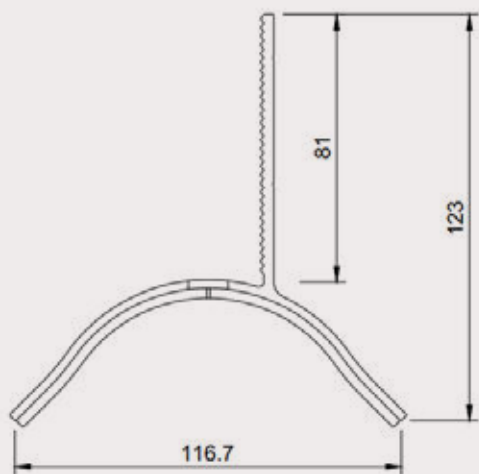
Article code	1SLD15SS001
Material	SS304 + ALU6063T6
Color	SS
Weight	231 gr
Application	pitched roof, corrugated roof



DATASHEET

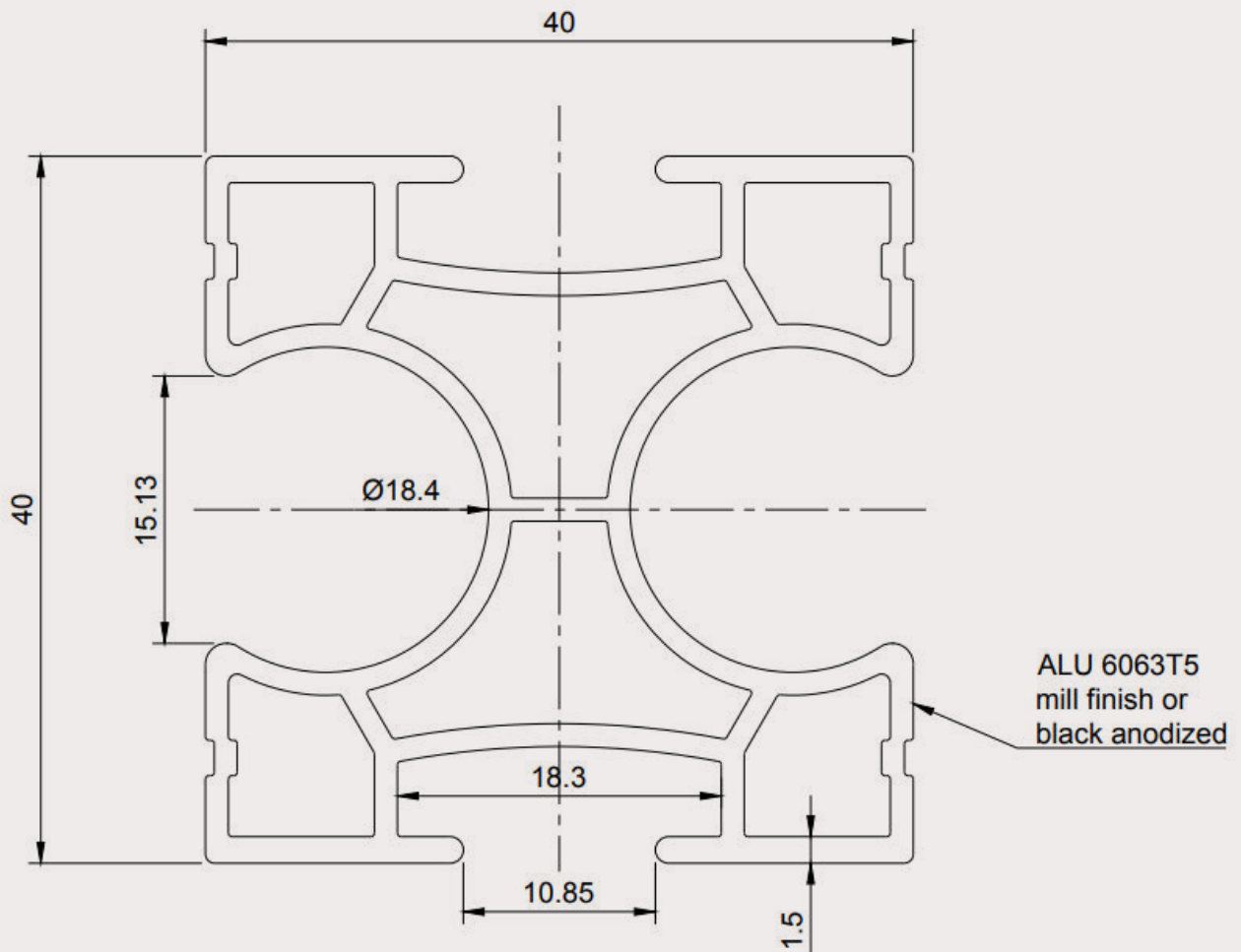
Hook for corrugated roof with EPDM

Article code	11NLI5DV007
Material	ALU6063 + EPDM
Color	alu
Weight	130 gr
Application	pitched roof, corrugated roof
Verpakking	96 st./doos, 960 st./pallet



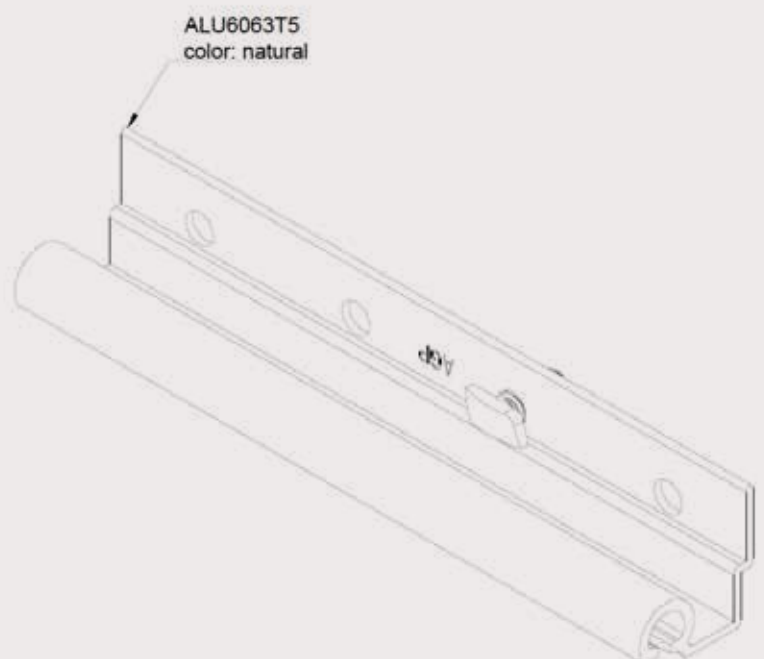
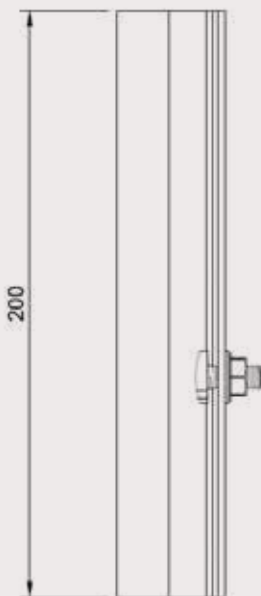
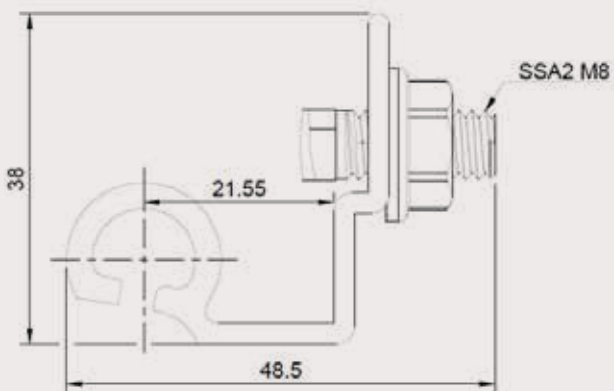
Profile SLIDE

Article code	1SLD43AL015 (4,80 m alu) 1SLD43AL022 (6 m alu) Other lengths available on request
Material	ALU6063T5
Color	alu / black
Weight	925,81 gr / m
Application	pitched roof, tiled roof, corrugated roof



Profile connector SLIDE

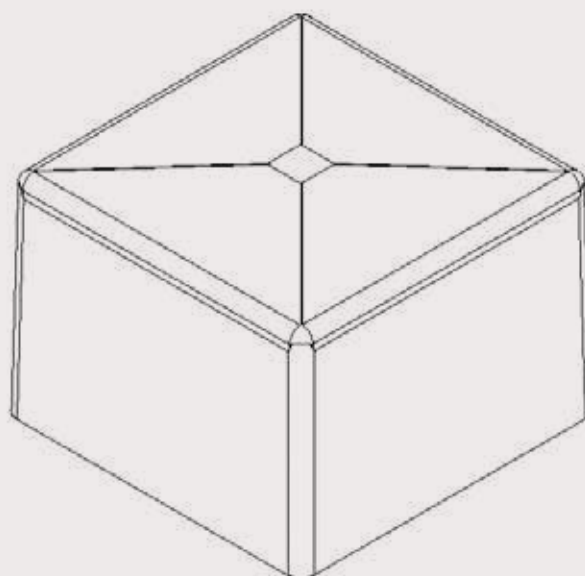
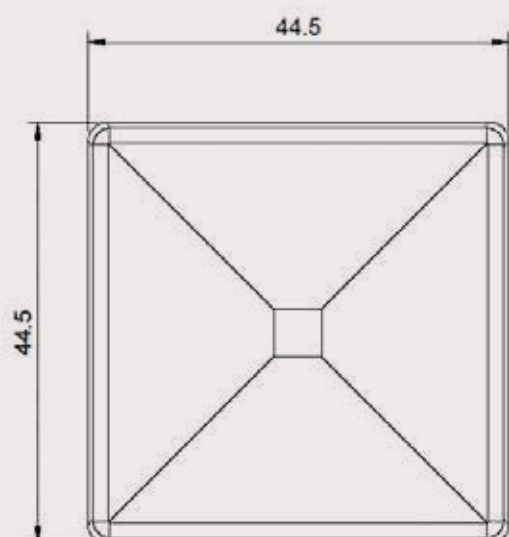
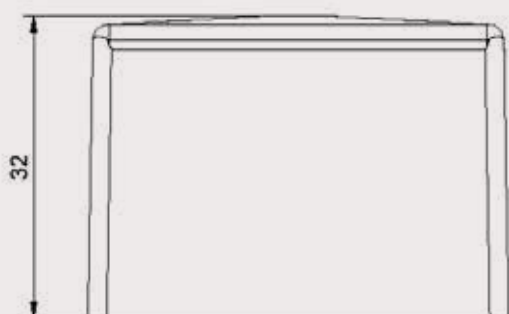
Article code	1SLD43PV001
Material	ALU6063T5
Color	alu
Weight	150 gr
Application	pitched roof, tiled roof, corrugated roof



DATASHEET

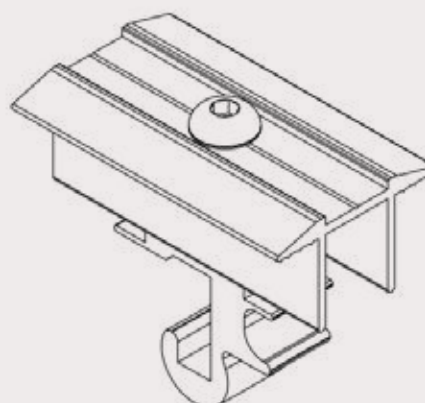
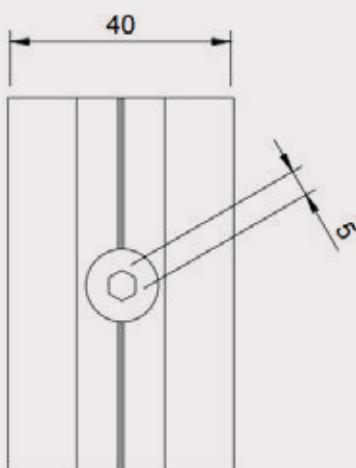
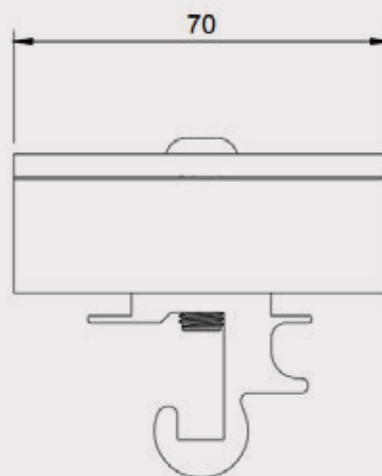
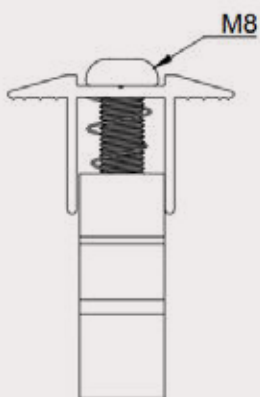
End cap for profile 40x40

Article code	1HMEACPS002 (grey) 1HME0ACPS001 (black)
Material	PE
Color	grey / black
Weight	10 gr



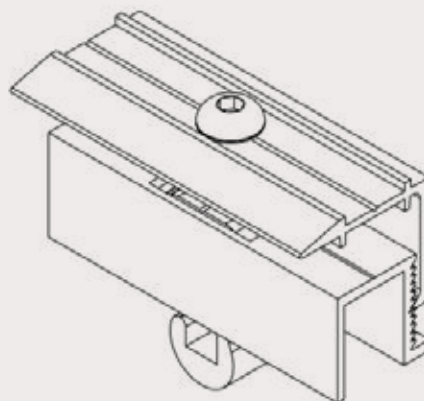
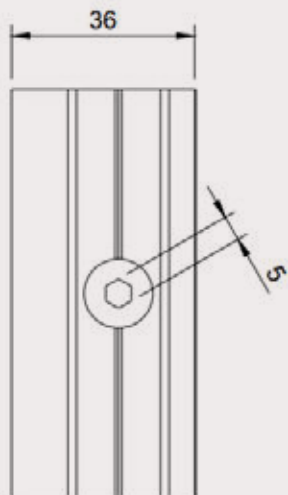
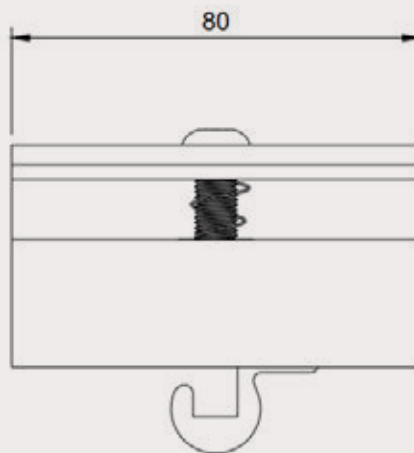
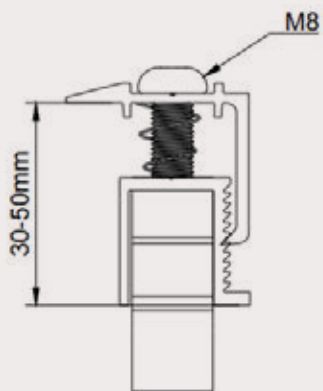
Middle clamp SLIDE

Article code	1SLD32AL001 (alu) 1SLD32ZW001 (black)
Material	ALU6063T5
Color	alu / black
Weight	80 gr
Application	pitched roof, tiled roof, steel deck trapezoid, corrugated roof



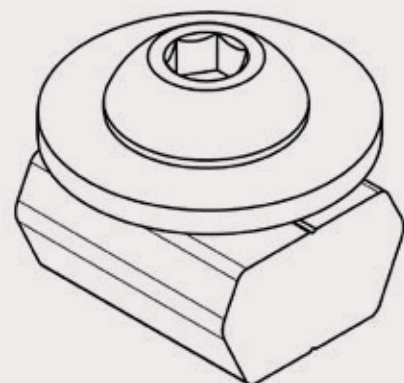
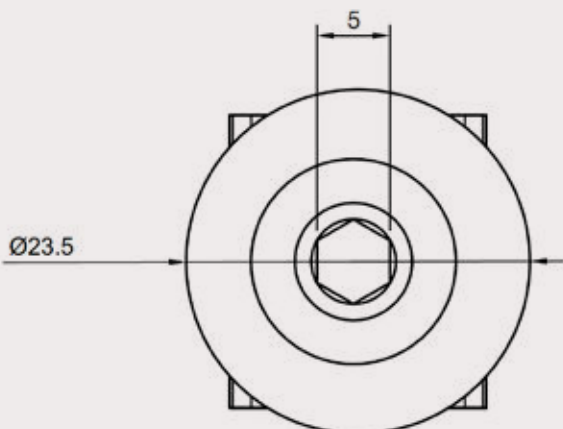
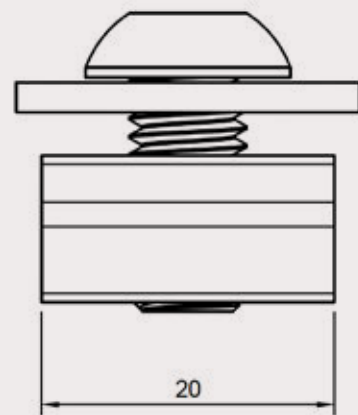
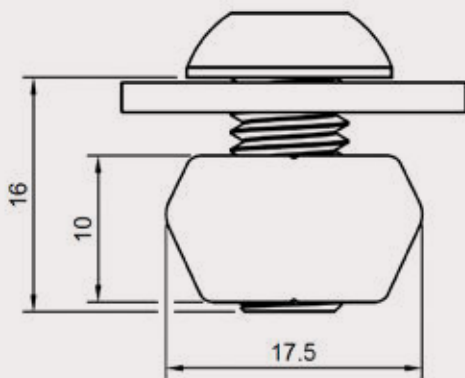
End clamp SLIDE

Article code	1SLD32AL002 (alu) 1SLD32ZW002 (black)
Material	ALU6063T5
Color	alu / black
Weight	110 gr
Packaging	pitched roof, tiled roof, steel deck trapezoid, corrugated roof



Optimizer holder SLIDE

Article code	1SLD99AC002
Material	ALU6063T5 + SS304
Color	alu
Weight	13 gr
Packaging	pitched roof, tiled roof, steel deck trapezoid, corrugated roof



DATASHEET

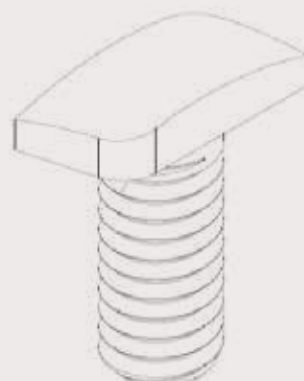
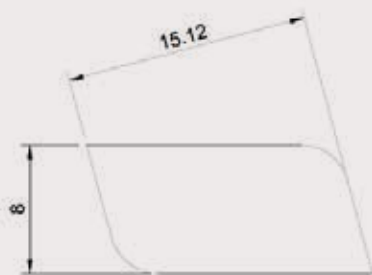
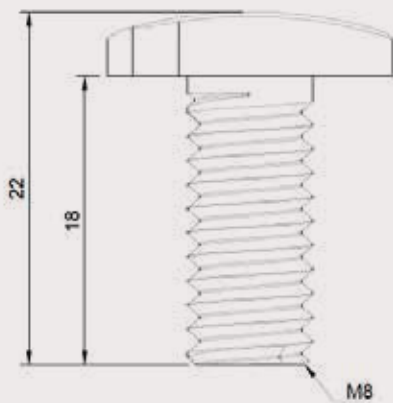
Hammerhead bolt SLIDE M8x18 mm with knurled nut

Article code 1HFR10BT001

Material SS304

Color SS

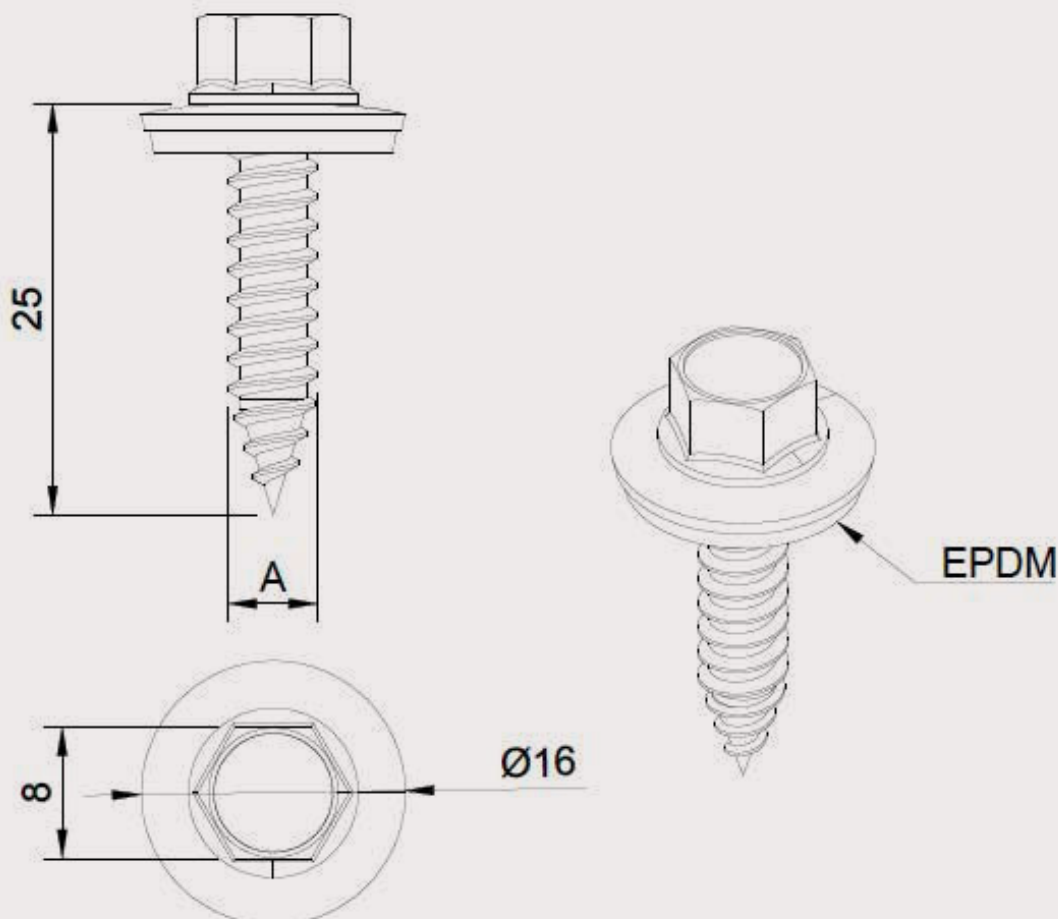
Weight 20 gr



DATASHEET

Bi-metal screw for steel deck 6,0x25

Article code	1HME46BM003
Material	SSA2
Color	SS
Weight	10 gr
Packaging	pitched roof, steel deck trapezoid
Verpakking	100 st./doos, 1.400 st./omdoos

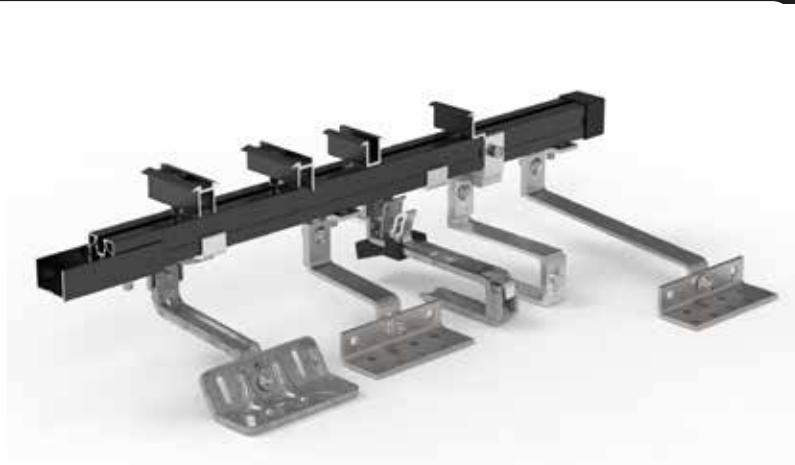


Discover our
other mounting
systems



HOME

ProMount HOME is our most versatile mounting system, combining flexibility, speed and proven durability for reliable residential and commercial installations.



INLAY

The well-known INLAY mounting system. You install solar panels quickly and easily by sliding them into the profiles. Without clamps!



ProMount calculator

Easily calculate and manage all your projects with our ProMount calculator for pitched roofs. Choose your location, roof type, solar panels and mounting system and you will immediately receive a complete project overview with corresponding bill of materials.

Feature

All calculations have been extensively tested according to the latest safety standards. You will receive a complete overview of all safety margins and permitted forces.



Calculate your project now!

